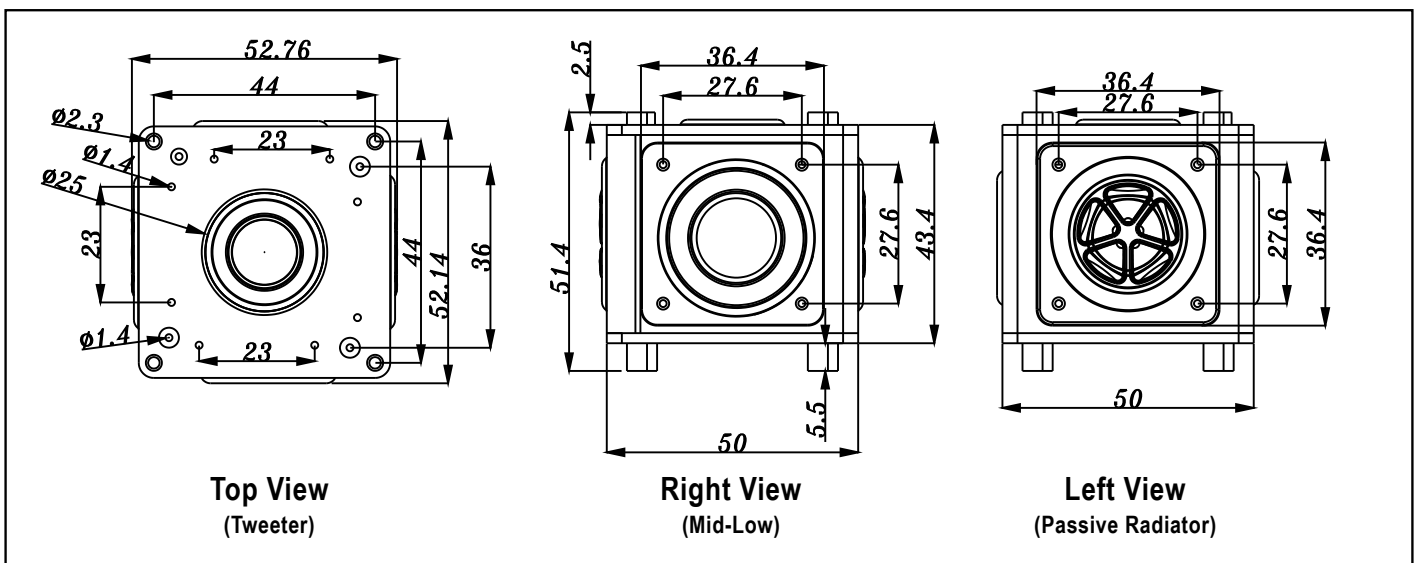


B2-399 Advanced Full Range Sound Module



Concept Features

1. 2 ways design upgrade sound to Hi-Fi quality.
2. Patented symmetrical structure eliminates vibration problems.
3. Petite size yet presents highest sensitivity.
4. 360 omnidirectional sound support delivers beautiful sound everywhere at any angle.



Specification

SIZE	50.4*50.4*52.1 mm	DRIVER # :	
HOUSING MATERIAL	ABS	TWEETER	W1-2361S
SPEAKER STRUCTURE	SYMMETRICAL STRUCTURE DESIGN	MID-LOW DRIVER	W1-2370S
SPEAKER DESIGN	TWO-WAY DESIGN	PASSIVE RADIATOR	W1-2371A
RATED POWER	4W	1.0 / 2.0 CROSSOVER :	
MAXIMUM POWER	8W	TWEETER	High Pass 3KHz~4KHz
SENSITIVITY	82dB (1W/1M)	MID-LOW	High Pass 100Hz Low Pass 3KHz~4KHz
F0	150Hz		

Note: Above mentioned SPEC and performance will be different depending on your amplifier design, connecting methods...ect. Welcome to contact us for further discussion, we'll provide more customization details for your reference.