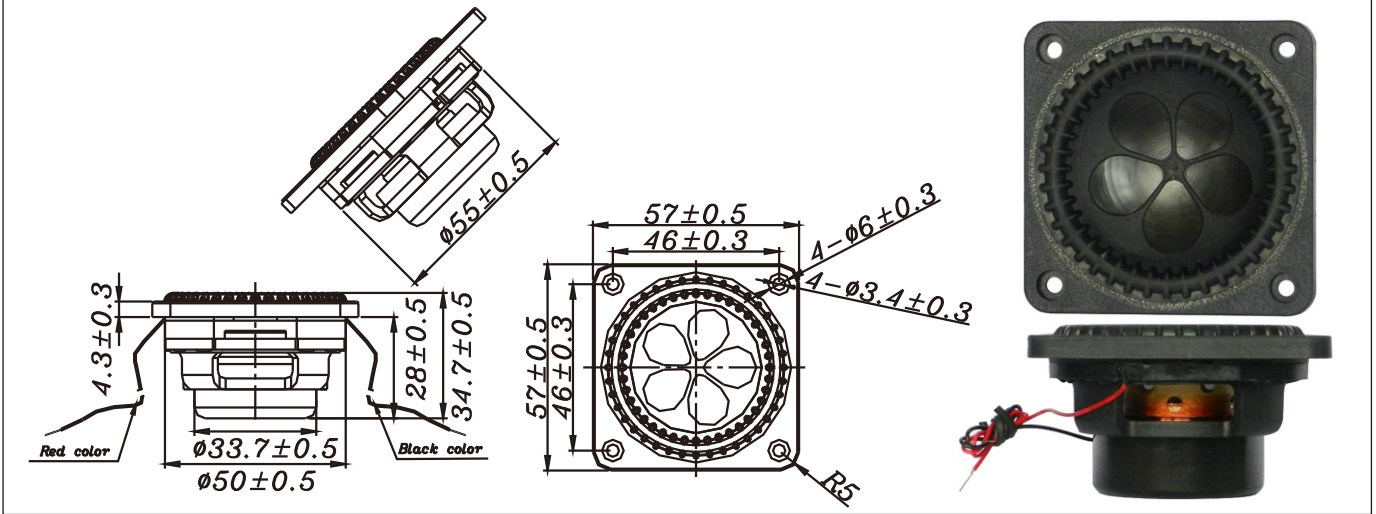


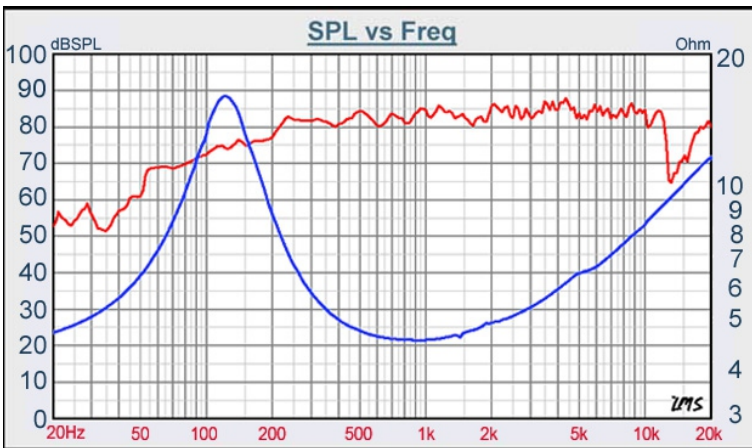
F SERIES

W2-2181S



- THE HIGHEST PERFORMANCE OF INNOVATIVE, 2INCH FULL RANGE DRIVER DESIGN
- SQUARE DIAMETER OF 57mm, Fo:120Hz
- MINERAL FILLED PP DIAPHRAGM WITH SANTOPRENE SURROUND, NEODYMIUM MAGNET SYSTEM
- EXCELLENT WEATHERABILITY
- PATENTED PRODUCT WITH EXCELLENT CONSISTENCY
- IT'S GOOD FOR MULTIMEDIA APPLICATION

2" PP CONE, FULL RANGE



| | |
|-----------------------|----------------------------|
| DIAPHRAGM MTL | Mineral filled pp |
| SURROUND MTL | Santoprene |
| NOMINAL IMPEDANCE | 4 Ω |
| DCR IMPEDANCE | 3.4 Ω |
| SENSITIVITY 1W/1m | 82 dB |
| FREQUENCY RESPONSE | 120 -12K Hz |
| FREE AIR RESONANCE | 120 Hz |
| VOICE COIL DIAMETER | 25.4 mm |
| AIR GAP HEIGHT | 3 mm |
| RATED POWER INPUT | 10 W |
| MAXIMUM POWER INPUT | 20 W |
| FORCE FACTOR, BL | 3.72 TM |
| TYPE OF MAGNET | Neodymium |
| MOVING MASS | 2.304 g |
| FERROFLUID ENHANCED | YES |
| SUSPENSION COMPLIANCE | 743.34 μMN^{-1} |
| EFFECTIVE PISTON AREA | 0.0015 M^2 |
| Levc | 0.032 mH |
| Zo | 16 ohm |
| X-max | 2.00 mm |
| Vas | 0.24 Litr |
| Qts | 0.34 |
| Qms | 1.61 |
| Qes | 0.43 |

TB SPEAKERS

VOICE:886.2.26570282 FAX:886.2.26580166
E-MAIL :info@tb-speaker.com