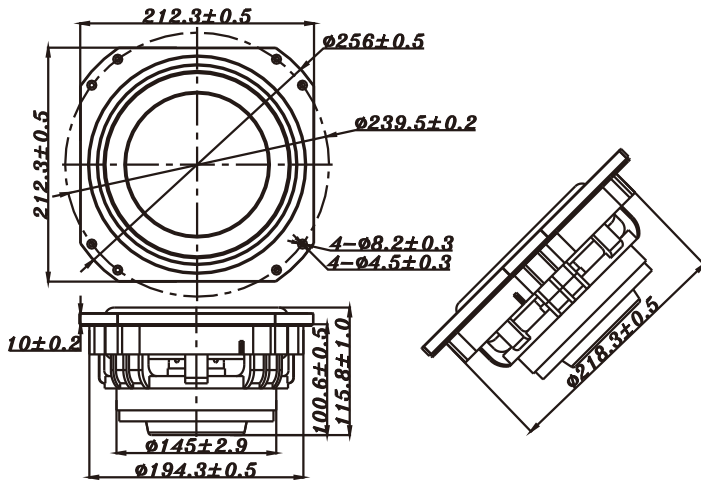


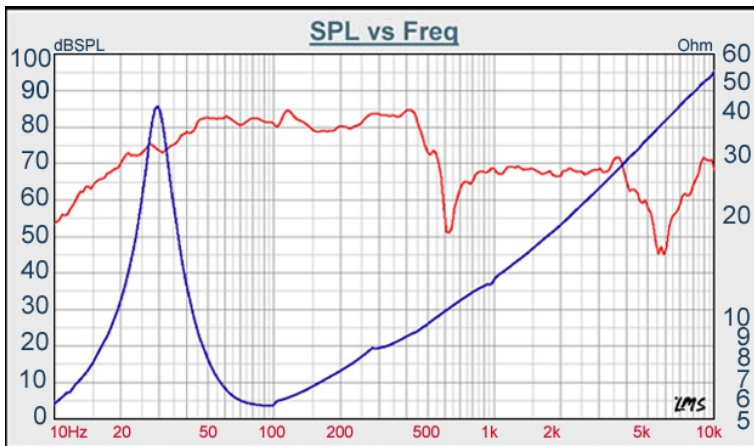
# SU SERIES

# W6-2100



- UNIQUE, PATENTED SUSPENSION SYSTEM PROVIDES EXTREMELY LINEAR EXCURSION
- HIGH POWER HANDLING DESIGN,  $X_{max} = 10\text{mm}$
- FLAT COMPOSITE CONE BODY
- ENGINEERING PLASTIC BASKET
- EXTREMELY LOW DISTORTION (THD), EVEN  $<100\text{Hz}$ .
- GOOD FOR WOOFER OR SUBWOOFER APPLICATION

## 6.5" PP+Mica SUBWOOFER



DIAPHRAGM MTL	PP+Mica
SURROUND MTL	Santoprene
NOMINAL IMPEDANCE	4 $\Omega$
DCR IMPEDANCE	3.6 $\Omega$
SENSITIVITY 1W/1m	81 dB
FREQUENCY RESPONSE	29 - 300 Hz
FREE AIR RESONANCE	29 Hz
VOICE COIL DIAMETER	49.50 mm
AIR GAP HEIGHT	8 mm
RATED POWER INPUT	55 W
MAXIMUM POWER INPUT	110 W
FORCE FACTOR, BL	10.48 TM
TYPE OF MAGNET	Ferrite
MOVING MASS	79.82 g
FERROFLUID ENHANCED	No
SUSPENSION COMPLIANCE	368.84 $\mu\text{MN}^{-1}$
EFFECTIVE PISTON AREA	0.0176 $\text{M}^2$
Levc	0.457 mH
Zo	40 ohm
X-max	10 mm
Vas	16.22 Litr
Qts	0.44
Qms	5.20
Qes	0.48

**TB SPEAKERS**

VOICE: 886.2.26570282 FAX: 886.2.26580166  
E-MAIL: info@tb-speaker.com