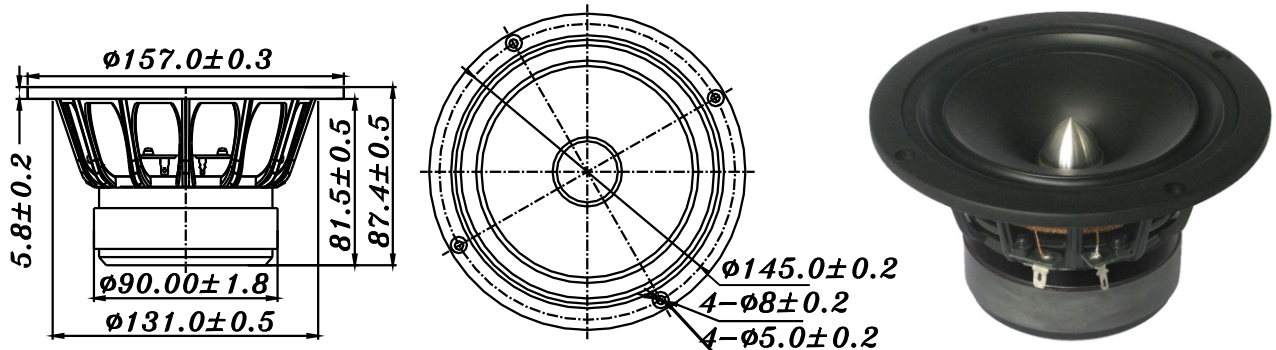


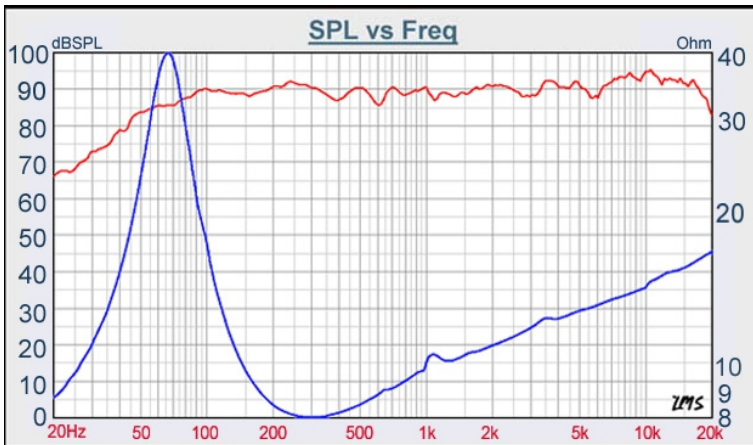
# F SERIES

# W5-1611SAF



- FULL RANGE DESIGN
- BLACK COLOR PP CONE WITH WIDE RANGE TEMPERATURE, HIGH LOSS RECIPE OF RUBBER SURROUND
- UNDERHUNG MOTOR DESIGN
- GF REINFORCED NYLON BASKET

## 5" PP FULL RANGE



DIAPHRAGM MTL	Black color pp
SURROUND MTL	Rubber
NOMINAL IMPEDANCE	8 Ω
DCR IMPEDANCE	6.3 Ω
SENSITIVITY 1W/1M	90 dB
FREQUENCY RESPONSE	60 - 20K Hz
FREE AIR RESONANCE	60 Hz
VOICE COIL DIAMETER	25.4 mm
AIR GAP HEIGHT	10 mm
RATED POWER INPUT	28 W
MAXIMUM POWER INPUT	56 W
FORCE FACTOR, BL	5.53 TM
TYPE OF MAGNET	Ferrite
MOVING MASS	5.99 g
FERROFLUID ENHANCED	No
SUSPENSION COMPLIANCE	1307 $\mu\text{MN}^{-1}$
EFFECTIVE PISTON AREA	0.0094 M <sup>2</sup>
Levc	0.023 mh
Zo	40 Ω
X-max	3 mm
Vas	11.69 Litr
Qts	0.44
Qms	2.80
Qes	0.52



VOICE:886.2.26570282 FAX:886.2.26580166  
E-MAIL :info@tb-speaker.com