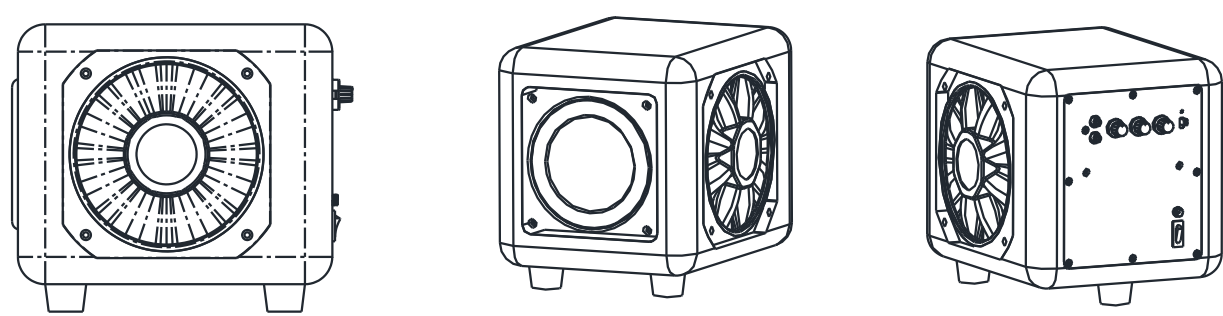
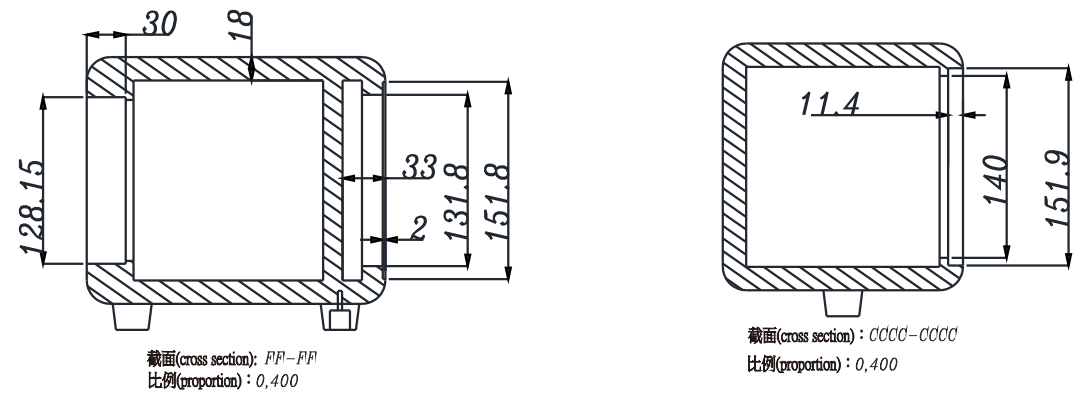
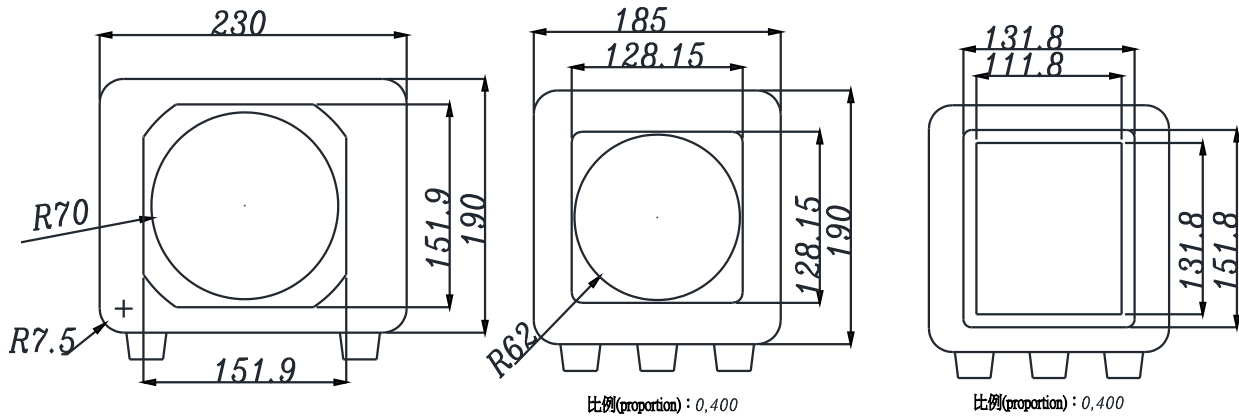


低音炮音箱 Subwoofer box



- 單體Driver:**
1. 低音Low frequency:W4-2089
 2. 振動板Passiver radiator:PR15

功放Aplifier:
AMS141-150

- 箱體訊息 Enclosure Information:**
1. 箱體容積Box volume:3L
 2. FB:40Hz
 3. 建議功放Aplifer suggestion:150W