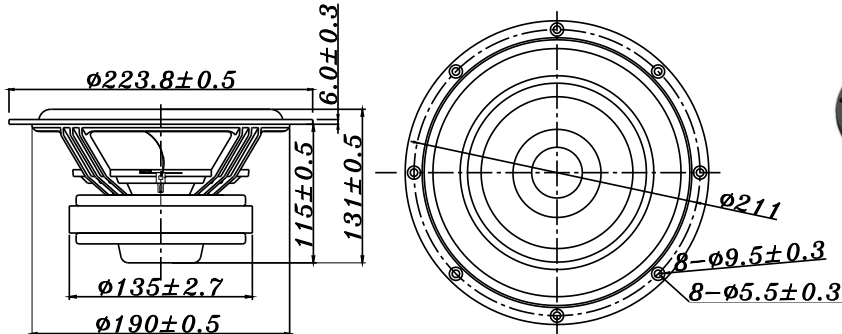


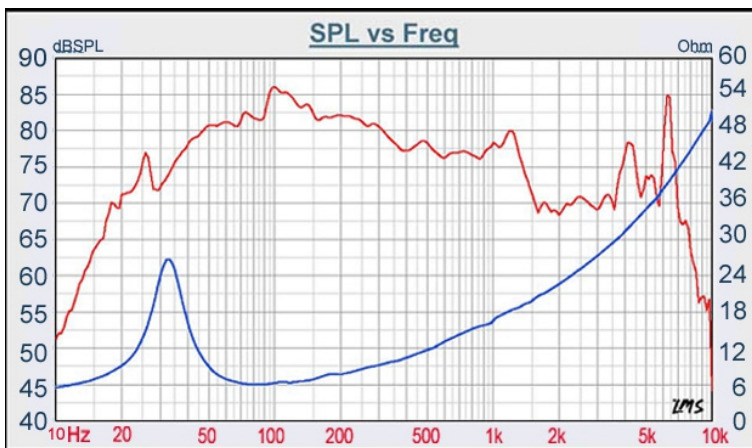
SU SERIES

W8-1747A



- SPECIAL SUSPENSION DESIGN, ALUMINUM CONE AND DUST CAP
- 350W (RMS) OF POWER LOADING, DURABLE MECHANICAL STRUCTURE
- $F_0=30\text{Hz}$, $X_{\text{max}}=8\text{mm}$
- IT'S GOOD FOR HIGH POWER SUBWOOFER APPLICATION

8" ALUM. SUBWOOFER



DIAPHRAGM MTL	Aluminium
SURROUND MTL	Rubber
NOMINAL IMPEDANCE	4 Ω
DCR IMPEDANCE	3.6 Ω
SENSITIVITY 1W/1M	84 dB
FREQUENCY RESPONSE	30-1 K Hz
FREE AIR RESONANCE	30 Hz
VOICE COIL DIAMETER	38.5 mm
AIR GAP HEIGHT	8 mm
RATED POWER INPUT	350 W
MAXIMUM POWER INPUT	700 W
FORCE FACTOR, BL	9.97 TM
TYPE OF MAGNET	Ferrite
MOVING MASS	69.85 g
FERROFLUID ENHANCED	No
SUSPENSION COMPLIANCE	366.877 μMN^{-1}
EFFECTIVE PISTON AREA	0.022 M^2
Levc	0.604 mH
Zo	26 Ω
Xmax	8 mm
Vas	23.16 Litr
Qts	0.41
Qms	2.15
Qes	0.50



VOICE:886.2.26570282 FAX:886.2.26580166
E-MAIL :info@tb-speaker.com