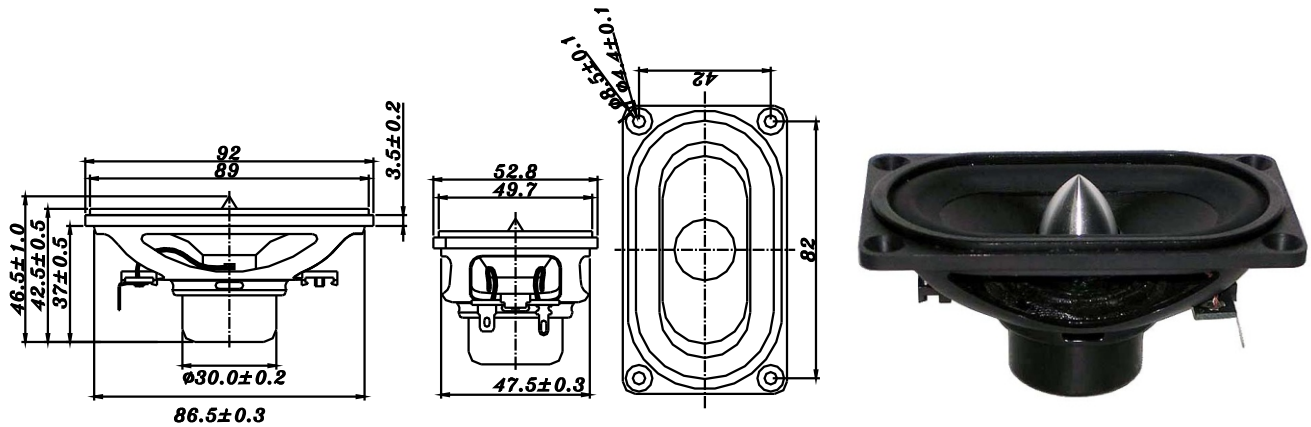


F SERIES

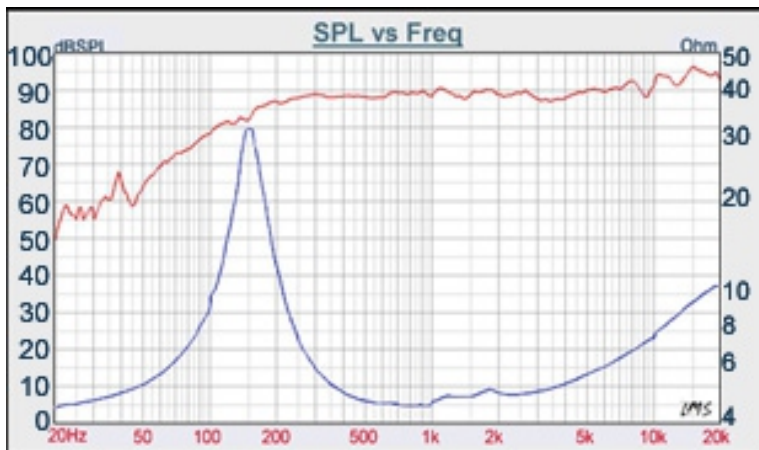
W23-1286SC



- FULL RANGE DESIGN
- ABS BASKET , NEODYMIUM DESIGN
- ALUMINIUM PHASE PLUG COOLING
- PPM CONE WITH SANTOPRENE SURROUND
- GOOD FOR CAR, HOME THEATER, MULTIMEDIA APPLICATION
- MAGNETICALLY SHIELDED

2*3" PPM FULL RANGE

| | |
|-----------------------|----------------------------|
| DIAPHRAGM MTL | Black color PPM |
| SURROUND MTL | Santoprene |
| NOMINAL IMPEDANCE | 4 Ω |
| DCR IMPEDANCE | 3.6 Ω |
| SENSITIVITY 1W/1m | 88 dB |
| FREQUENCY RESPONSE | 150-20 K Hz |
| FREE AIR RESONANCE | 150 Hz |
| VOICE COIL DIAMETER | 18.4 mm |
| AIR GAP HEIGHT | 3 mm |
| RATED POWER INPUT | 12 W |
| MAXIMUM POWER INPUT | 24 W |
| FORCE FACTOR, BL | 2.96 TM |
| TYPE OF MAGNET | Neodymium |
| MOVING MASS | 1.54 g |
| FERROFLUID ENHANCED | No |
| SUSPENSION COMPLIANCE | 706.71 μMN^{-1} |
| EFFECTIVE PISTON AREA | 0.0029 M^2 |
| Levc | 0.023 mH |
| Zo | 28 Ω |
| X-max | 0.9 mm |
| Vas | 0.844 Litr |
| Qts | 0.56 |
| Qms | 6.21 |
| Qes | 0.62 |



TB SPEAKERS

VOICE:886.2.26570282 FAX:886.2.26580166
E-MAIL :info@tb-speaker.com