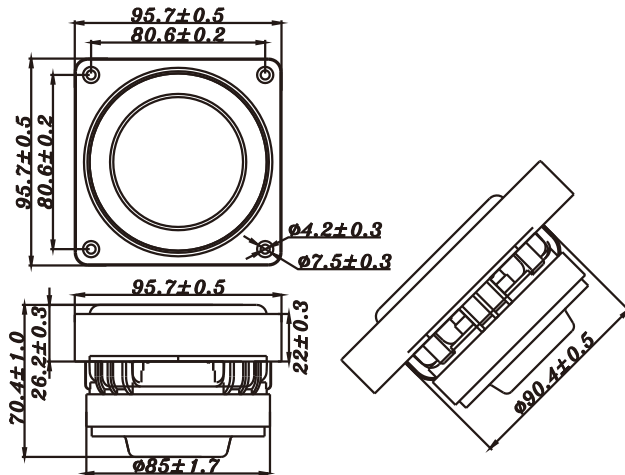


SU SERIES

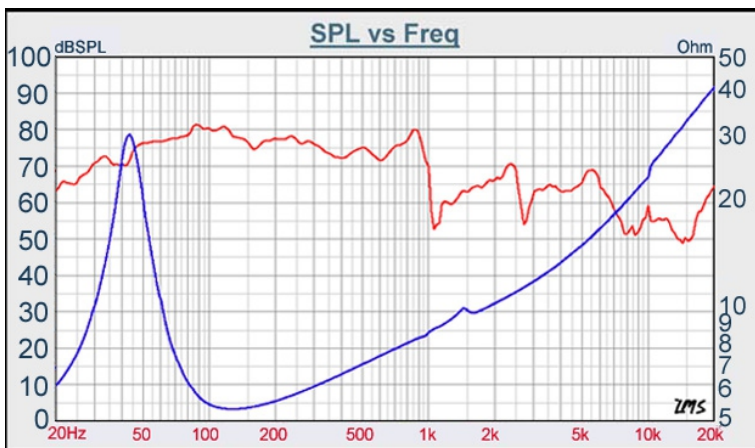
W3-2088S0F



- SUPER AND POWERFUL SMALL SUBWOOFER
- BALANCE MODE, IDEAL LINEAR EXCURSION, PATENTED STRCUTURE
- VC = 32MM, Xmax = 7MM, Fo = 45MM
- NEW COMPOSITE MATERIAL APPLIED WITH NEW ASSEMBLY PROCESS
- SUBWOOFER OR WOOFER FOR AUDIO APPLICATION

3.5" SUBWOOFER

DIAPHRAGM MTL	PP Composite
SURROUND MTL	Santoprene
NOMINAL IMPEDANCE	4 Ω
DCR IMPEDANCE	3.6 Ω
SENSITIVITY 1W/1M	77 dB
FREQUENCY RESPONSE	45 - 1 K Hz
FREE AIR RESONANCE	45 Hz
VOICE COIL DIAMETER	32 mm
AIR GAP HEIGHT	4 mm
RATED POWER INPUT	25 W
MAXIMUM POWER INPUT	50 W
FORCE FACTOR, BL	5.65 TM
TYPE OF MAGNET	Ferrite
MOVING MASS	17.96 g
FERROFLUID ENHANCED	No
SUSPENSION COMPLIANCE	765.504 uMN ⁻¹
EFFECTIVE PISTON AREA	0.0044 M ²
Levc	0.18 mH
Zo	28 Ω
Xmax	7 mm
Vas	2.10 Litr
Qts	0.48
Qms	4.14
Qes	0.55



TB SPEAKERS

VOICE: 886.2.26570282 FAX: 886.2.26580166
E-MAIL: info@tb-speaker.com