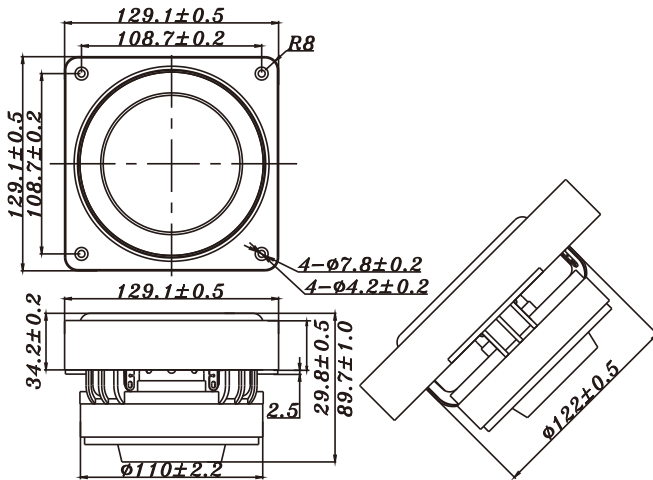


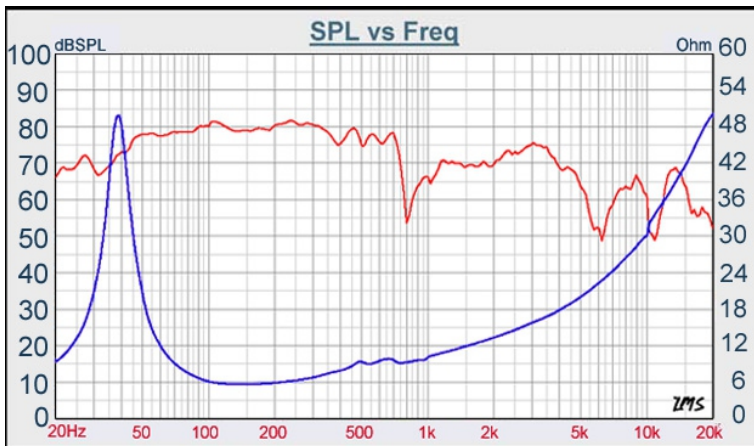
SU SERIES

W4-2089



- UNIQUE, PATENTED SUSPENSION SYSTEM PROVIDES EXTREMELY LINEAR EXCURSION
- HIGH POWER HANDLING DESIGN, $X_{max} = 8\text{mm}$
- LIGHT WEIGHT AND HIGH STIFFNESS OF FLAT COMPOSITE CONE BODY
- GF REINFORCED NYLON BASKET
- EXTREMELY LOW DISTORTION (THD), EVEN <100Hz.
- GOOD FOR WOOFER OR SUBWOOFER APPLICATION

4.5" PP+Mica SUBWOOFER



DIAPHRAGM MTL	PP+Mica
SURROUND MTL	Santoprene
NOMINAL IMPEDANCE	4 Ω
DCR IMPEDANCE	3.6 Ω
SENSITIVITY 1W/1m	79 dB
FREQUENCY RESPONSE	35 - 800 Hz
FREE AIR RESONANCE	35 Hz
VOICE COIL DIAMETER	38.5 mm
AIR GAP HEIGHT	6 mm
RATED POWER INPUT	40 W
MAXIMUM POWER INPUT	80 W
FORCE FACTOR, BL	8.69 TM
TYPE OF MAGNET	Ferrite
MOVING MASS	39.9 g
FERROFLUID ENHANCED	No
SUSPENSION COMPLIANCE	424.24 μMN^{-1}
EFFECTIVE PISTON AREA	0.0075 M^2
Levc	0.198 mH
Zo	50 Ω
X-max	8 mm
Vas	3.39 Liter
Qts	0.42
Qms	4.73
Qes	0.46

TB SPEAKERS

VOICE:886.2.26570282 FAX:886.2.26580166
E-MAIL :info@tb-speaker.com