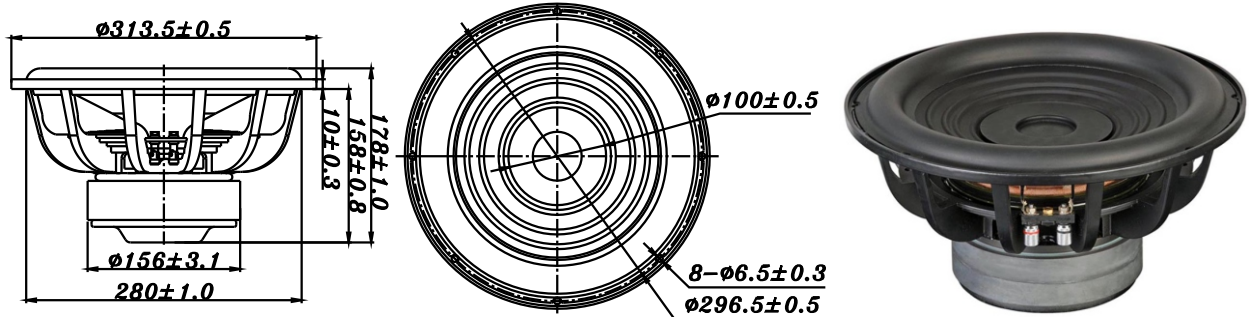


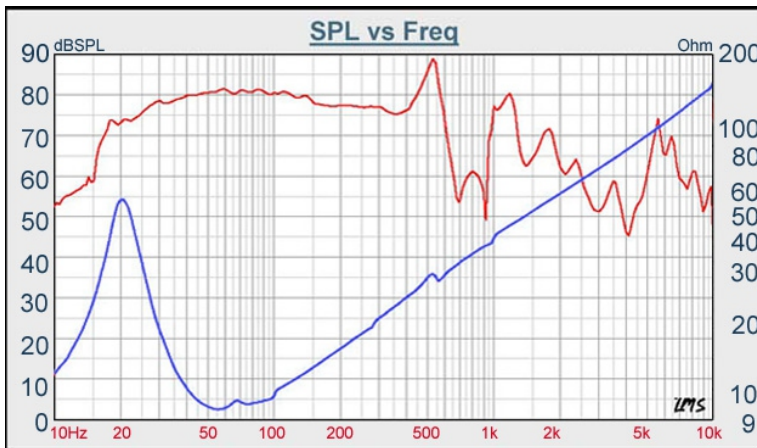
SU SERIES

WQ-1858(series)



- SPECIAL SUSPENSION DESIGN, ALUMINUM CONE AND DUST CAP
- 500W (RMS) OF POWER LOADING, DURABLE MECHANICAL STRUCTURE
- Fo=20Hz, X-max=13.3mm
- IT'S GOOD FOR HIGH POWER SUBWOOFER APPLICATION

12" ALUM. SUBWOOFER



DIAPHRAGM MTL	Aluminum
SURROUND MTL	Rubber
NOMINAL IMPEDANCE	8 Ω
DCR IMPEDANCE	6.8 Ω
SENSITIVITY 1W/1M	85 dB
FREQUENCY RESPONSE	20-400 Hz
FREE AIR RESONANCE	20 Hz
VOICE COIL DIAMETER	49.5 mm
AIR GAP HEIGHT	8 mm
RATED POWER INPUT	500 W
MAXIMUM POWER INPUT	1000 W
FORCE FACTOR, BL	17.64 TM
TYPE OF MAGNET	Ferrite
MOVING MASS	179.61 g
FERROFLUID ENHANCED	No
SUSPENSION COMPLIANCE	328.214 μMN ⁻¹
EFFECTIVE PISTON AREA	0.0500 M ²
Levc	1.48 mH
Zo	59 Ω
Xmax	13.3 mm
Vas	116.52 Litr
Qts	0.45
Qms	3.88
Qes	0.51



VOICE:886.2.26570282 FAX:886.2.26580166
E-MAIL :info@tb-speaker.com