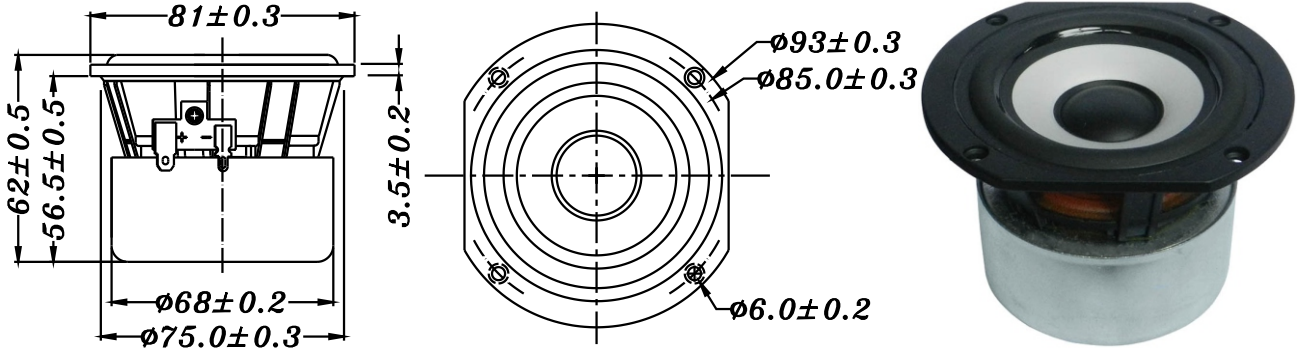


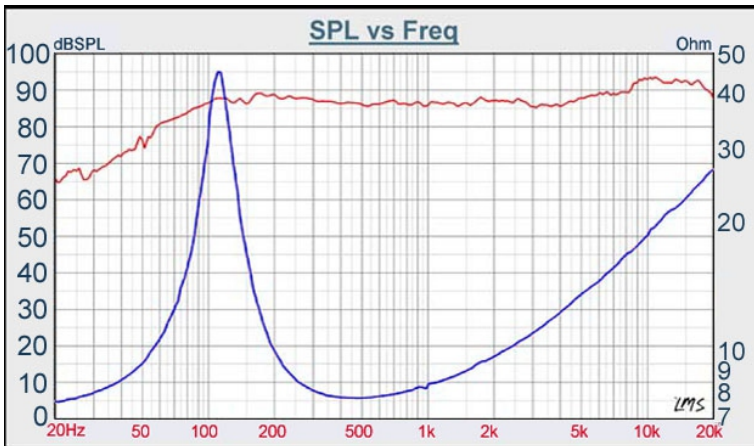
# F SERIES

# W3-317SC



- FULL RANGE FREQUENCY RESPONSE
- DIE CAST BASKET
- ALUM./MG. CONE WITH SANTOPRENE SURROUND
- MAGNETICALLY SHIELDED
- CCAW WITH KAPTON BOBBIN

## 3" ALUM. CONE/ FULL RANGE



DIAPHRAGM MTL	Aluminum
SURROUND MTL	Santoprene
NOMINAL IMPEDANCE	8 Ω
DCR IMPEDANCE	6.6 Ω
SENSITIVITY 1W/1m	86 dB
FREQUENCY RESPONSE	100 - 20K Hz
FREE AIR RESONANCE	100 Hz
VOICE COIL DIAMETER	20.4 mm
AIR GAP HEIGHT	6 mm
RATED POWER INPUT	10 W
MAXIMUM POWER INPUT	20 W
FORCE FACTOR, BL	3.5 TM
TYPE OF MAGNET	Ferrite
MOVING MASS	2 g
FERROFLUID ENHANCED	No
SUSPENSION COMPLIANCE	1068 $\mu\text{MN}^{-1}$
EFFECTIVE PISTON AREA	0.0032 $\text{M}^2$
Levc	0.29 mH
Zo	45 Ω
X-max	0.2 mm
Vas	1.55 Litr
Qts	0.63
Qms	4.31
Qes	0.73

**TB** SPEAKERS

VOICE:886.2.26570282 FAX:886.2.26580166  
E-MAIL :info@tb-speaker.com