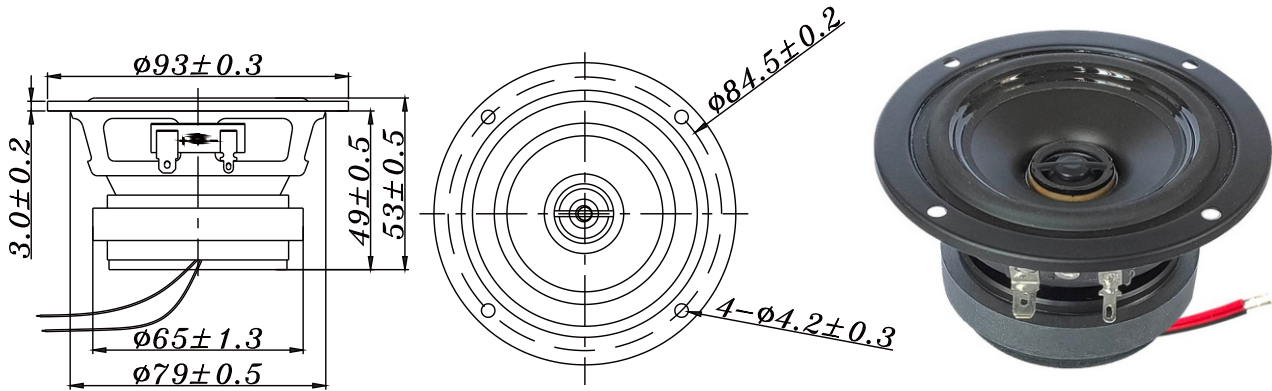


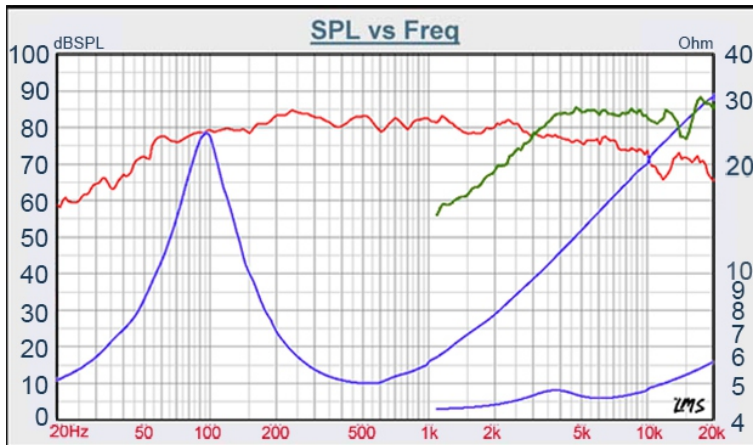
F SERIES

W3-1723A



- COAXIAL SPEAKER, 13MM TWEETER AND 3" WOOFER
- PP CONE WITH RUBBER SURROUND
- FERRITE MAGNET OF WOOFER
- TINY TWEETER BUILT-IN COAXIAL SPEAKER
- POINT SOURCE DESIGN

3" PP COAXIAL FULL RANGE



DIAPHRAGM MTL	PP
SURROUND MTL	Santoprene
NOMINAL IMPEDANCE	4 Ω
DCR IMPEDANCE	3.6 Ω
SENSITIVITY 1W/1m	87 dB
FREQUENCY RESPONSE	100 - 20K Hz
FREE AIR RESONANCE	100 Hz
VOICE COIL DIAMETER	20.4 mm
AIR GAP HEIGHT	4 mm
RATED POWER INPUT	12 W
MAXIMUM POWER INPUT	25 W
FORCE FACTOR, BL	3.67 TM
TYPE OF MAGNET	Ferrite
MOVING MASS	2.50 g
FERROFLUID ENHANCED	No
SUSPENSION COMPLIANCE	1116 μMN ⁻¹
EFFECTIVE PISTON AREA	0.0032 M ²
Levc	0.109 mH
Zo	25 Ω
X-max	0.9 mm
Vas	1.62 Litr
Qts	0.34
Qms	2.30
Qes	0.40



VOICE: 886.2.26570282 FAX: 886.2.26580166
E-MAIL: info@tb-speaker.com