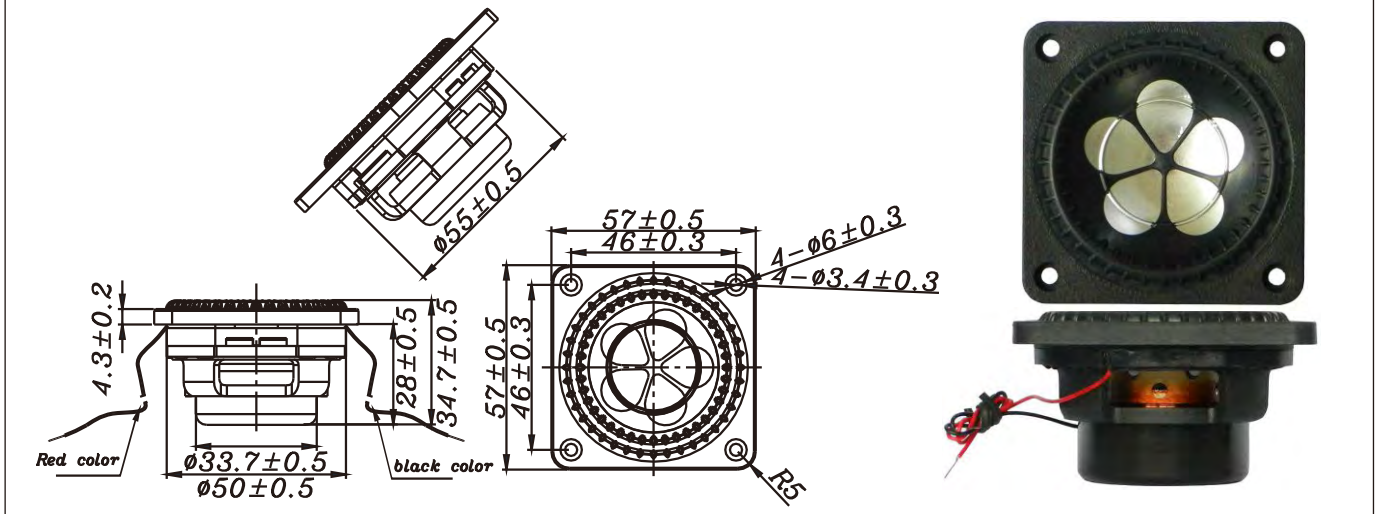


# F SERIES

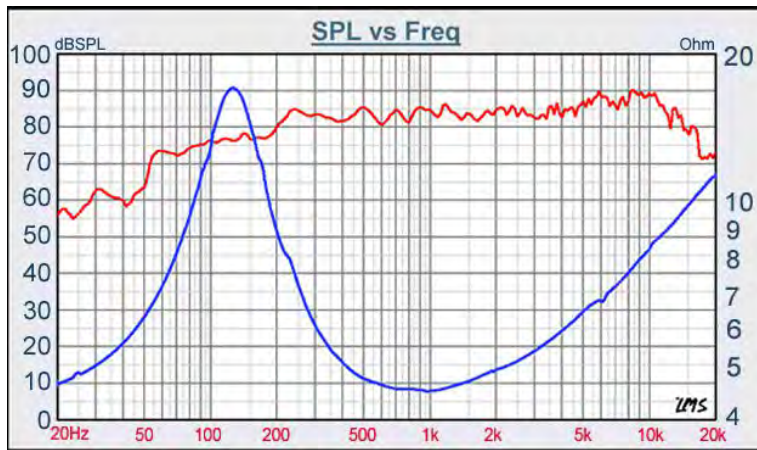
# W2-2136S



- THE HIGHEST PERFORMANCE OF INNOVATIVE, 2INCH FULL RANGE DRIVER DESIGN
- SQUARE DIAMETER OF 57mm, Fo:120 Hz
- ALUMINUM DIAPHRAGM WITH SANTOPRENE SURROUND
- NEODYMIUM MAGNET SYSTEM
- PATENTED PRODUCT WITH EXCELLENT CONSISTENCY
- IT'S GOOD FOR MULTIMEDIA APPLICATION

## 2" ALUM, FULL RANGE

DIAPHRAGM MTL	Aluminum
SURROUND MTL	Santoprene
NOMINAL IMPEDANCE	4 W
DCR IMPEDANCE	3.4 W
SENSITIVITY 1W/1m	83 dB
FREQUENCY RESPONSE	120 -15K Hz
FREE AIR RESONANCE	120 Hz
VOICE COIL DIAMETER	25.4 mm
AIR GAP HEIGHT	3 mm
RATED POWER INPUT	10 W
MAXIMUM POWER INPUT	20 W
FORCE FACTOR, BL	3.71 TM
TYPE OF MAGNET	Neodymium
MOVING MASS	1.996 g
FERROFLUID ENHANCED	No
SUSPENSION COMPLIANCE	800.78 $\mu\text{MN}^{-1}$
EFFECTIVE PISTON AREA	0.0015 $\text{M}^2$
Levc	0.03 mH
Zo	18 W
X-max	2 mm
Vas	0.26 Liter
Qts	0.31
Qms	1.59
Qes	0.39



# TB SPEAKERS

VOICE:886.2.26570282 FAX:886.2.26580166  
E-MAIL :info@tb-speaker.com