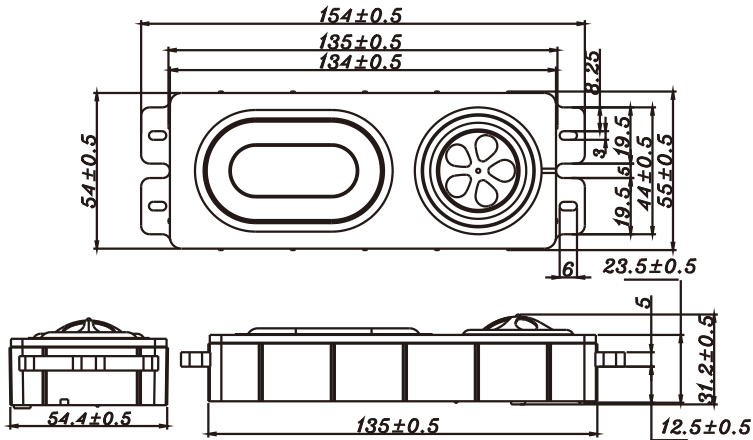


MODULE

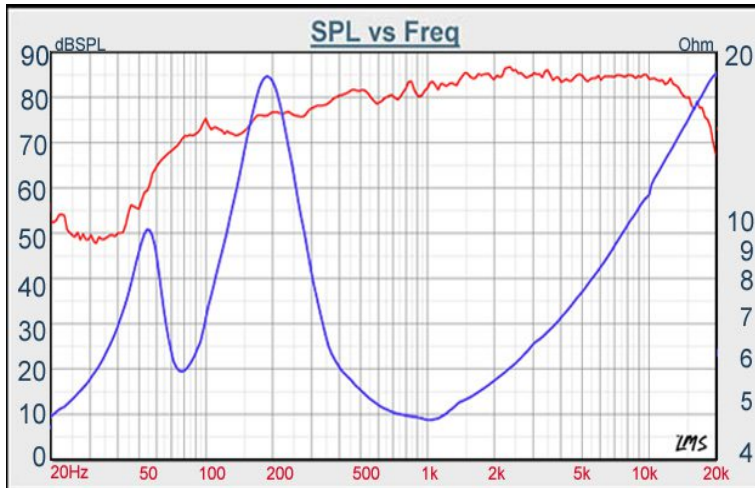
T1-1942S



- COMPREHENSIVE SOLUTION FOR AUDIO DESIGN.
- COMBINE DRIVER, PASSIVE RADIATOR AND BOX AS ONE UNIT, PATENTED.
- SLIM AND TINY, LOW BASS FO = 78 Hz.
- MODULE COULD BE RESHAPED TO FIT CUSTOMER'S APPLICATION.
- GOOD FOR PORTABLE, SOUNDBAR, MULTIMEDIA... APPLICATION.
- MOUNTING KIT WITH AMPLIFIER IS AVAILABLE.

SYSTEM SPECIFICATION

SYSTEM	Passive radiator design
ACTIVE DRIVER	46mm dome shape driver
DIAPHRAGM	PP composite with elastomer
HOUSING	PP composite material
FINISH	Black
DIMENSIONS	154 x 54 x 30.1mm
VOICE COIL DIAMETER	28 mm
IMPEDANCE	4ohm
POWER LOADING	4 W(RMS)
MUSIC POWER	8 W
RESPONSE RANGE	78Hz - 20KHz
SENSITIVITY	81 dB (M / W)
FO	78 Hz
POWER RECOMMENDED	5 W (RMS)
DESIGN SUGGESTION	High pass filter with 80 Hz, -12dB/oct



TB SPEAKERS

VOICE:886.2.26570282 FAX:886.2.26580166
E-MAIL :info@tb-speaker.com