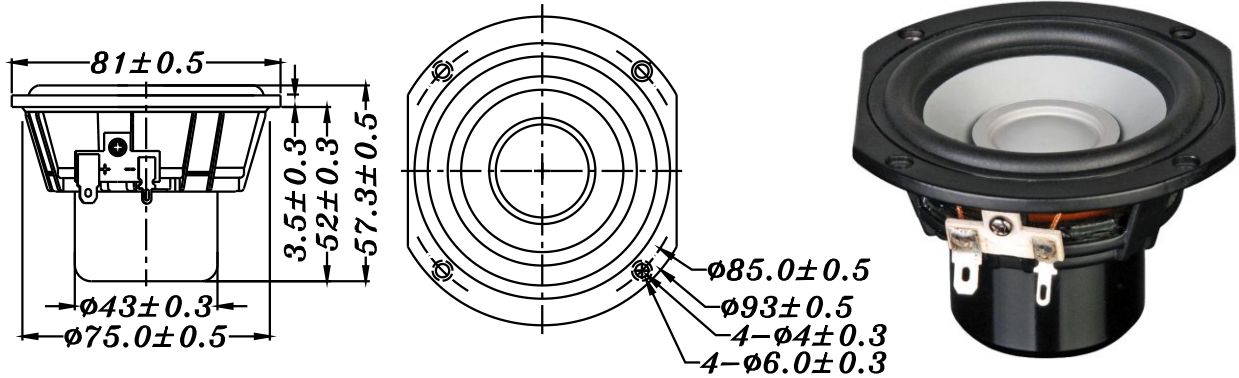


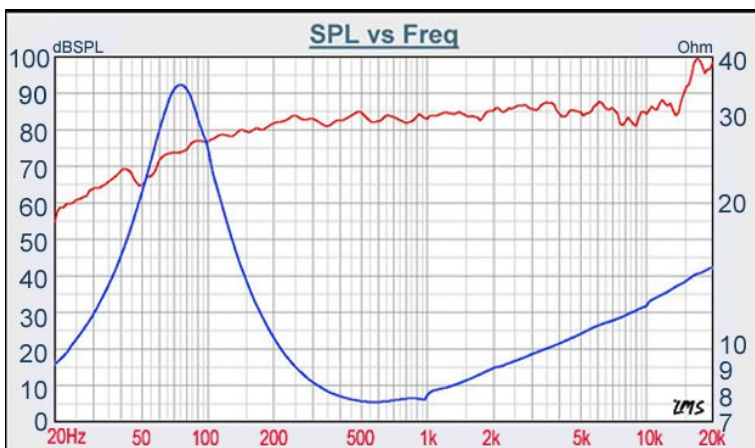
F SERIES

W3-1401SD



- HIGH POWER LOADING DESIGN
- ALUMINUM DIE CAST BASKET
- RUBBER SURROUND WITH ALUMINUM CONE / DUST CAP
- NEODYMIUM MAGNET SYSTEM
- FO=75Hz, 30W (RMS) / 8ohm

3" ALUM, FULL RANGE



DIAPHRAGM MTL	Aluminium
SURROUND MTL	Rubber
NOMINAL IMPEDANCE	8 W
DCR IMPEDANCE	6.3 W
SENSITIVITY 1W/1M	84 dB
FREQUENCY RESPONSE	75 - 20K Hz
FREE AIR RESONANCE	75 Hz
VOICE COIL DIAMETER	25.4 mm
AIR GAP HEIGHT	3 mm
RATED POWER INPUT	30 W
MAXIMUM POWER INPUT	60 W
FORCE FACTOR, BL	5.56 TM
TYPE OF MAGNET	Neodymium
MOVING MASS	3.99 g
FERROFLUID ENHANCED	No
SUSPENSION COMPLIANCE	1134 μMN^{-1}
EFFECTIVE PISTON AREA	0.0032 M^2
Levc	0.021 mH
Zo	36 W
X-max	3.5 mm
Vas	1.65 Litr
Qts	0.31
Qms	1.75
Qes	0.38

TB SPEAKERS

VOICE:886.2.26570282 FAX:886.2.26580166
E-MAIL :info@tb-speaker.com