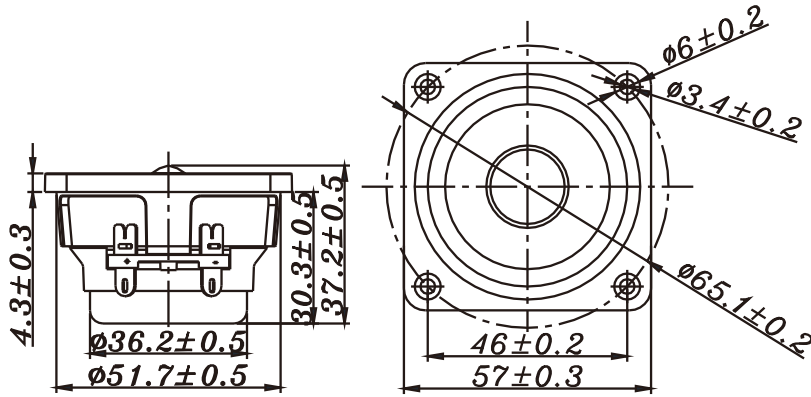


# F SERIES

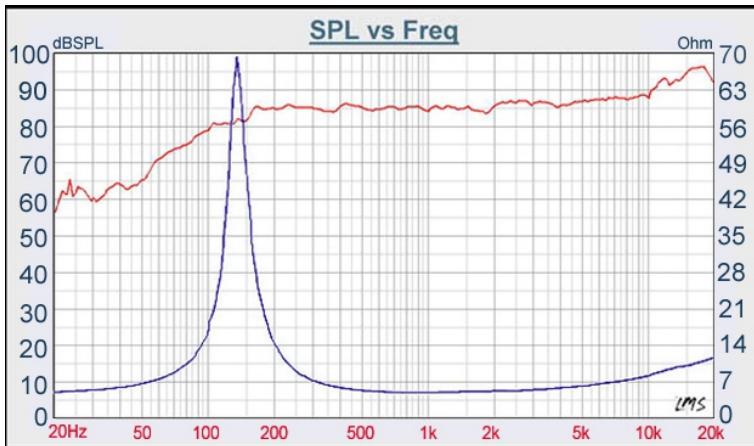
# W2-924SQ



- FULL RANGE DESIGN
- ABS BASKET
- NEODYMIUM DESIGN, MAGNETICALLY SHIEDED
- PAPER CONE WITH TPR SURROUND
- GOOD FOR CAR, HOME THEATER, MULTIMEDIA APPLICATION
- UNIQUE PAPER DUST CAP

## 2" PAPER FULL RANGE

DIAPHRAGM MTL	Paper
SURROUND MTL	TPR
NOMINAL IMPEDANCE	4 $\Omega$
DCR IMPEDANCE	3.6 $\Omega$
SENSITIVITY 1W/1m	85 dB
FREQUENCY RESPONSE	150-20K Hz
FREE AIR RESONANCE	150 Hz
VOICE COIL DIAMETER	20.4 mm
AIR GAP HEIGHT	3 mm
RATED POWER INPUT	8 W
MAXIMUM POWER INPUT	16 W
FORCE FACTOR, BL	2.96 TM
TYPE OF MAGNET	Neodymium
MOVING MASS	0.98 g
FERROFLUID ENHANCED	No
SUSPENSION COMPLIANCE	1397.0 $\mu\text{MN}^{-1}$
EFFECTIVE PISTON AREA	0.0013 $\text{M}^2$
Levc	0.052 mH
Zo	70 $\Omega$
X-max	0.9 mm
Vas	0.335 Litr
Qts	0.32
Qms	6.29
Qes	0.34



VOICE 886.2.26570282 FAX 886.2.26580166  
E-MAIL: info@tb-speaker.com