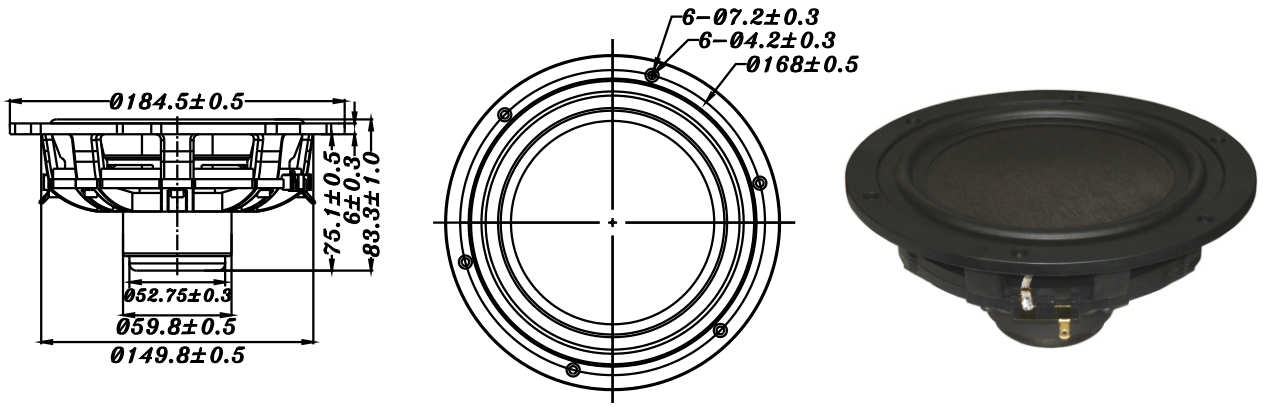


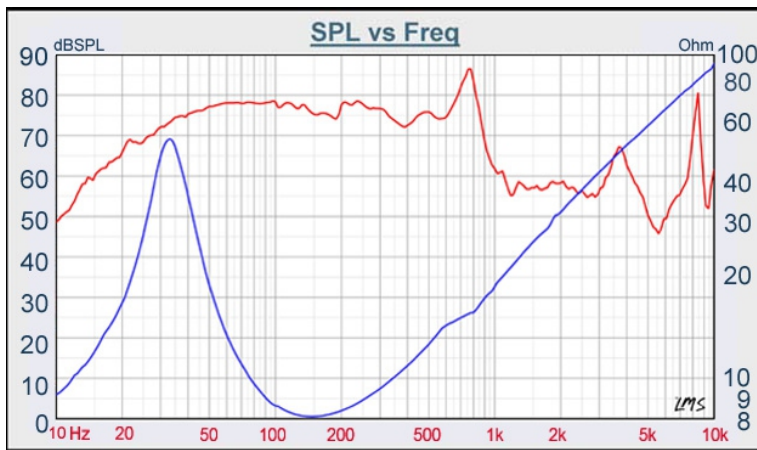
SU SERIES

W6-1936S



- HIGH POWER HANDLING DESIGN
- FLAT ALUMINUM CONE, GOOD FOR HEAT RELEASE
- NEODYMIUM MAGNET DESIGN
- GF REINFORCED NYLON BASKET
- MAGNETICALLY SHIELDED
- GOOD FOR CAR, IN-WALL, SUBWOOFER APPLICATION

6.5" ALUM. SUBWOOFER



DIAPHRAGM MTL	Aluminum
SURROUND MTL	Rubber
NOMINAL IMPEDANCE	8 Ω
DCR IMPEDANCE	6.5 Ω
SENSITIVITY 1W/1m	78 dB
FREQUENCY RESPONSE	30-800 Hz
FREE AIR RESONANCE	30 Hz
VOICE COIL DIAMETER	38.5 mm
AIR GAP HEIGHT	7 mm
RATED POWER INPUT	80 W
MAXIMUM POWER INPUT	160 W
FORCE FACTOR, BL	21.56 TM
TYPE OF MAGNET	Neodymium
MOVING MASS	141.60 g
FERROFLUID ENHANCED	No
SUSPENSION COMPLIANCE	167.551 μMN ⁻¹
EFFECTIVE PISTON AREA	0.014 M ²
Levc	0.548 mH
Zo	55 Ω
X-max	7.4 mm
Vas	4.66 Litr
Qts	0.36
Qms	3.09
Qes	0.41



VOICE:886.2.26570282 FAX:886.2.26580166
 E-MAIL :info@tb-speaker.com