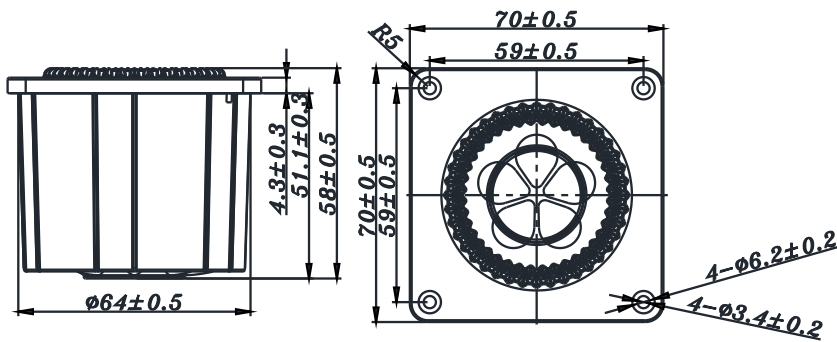


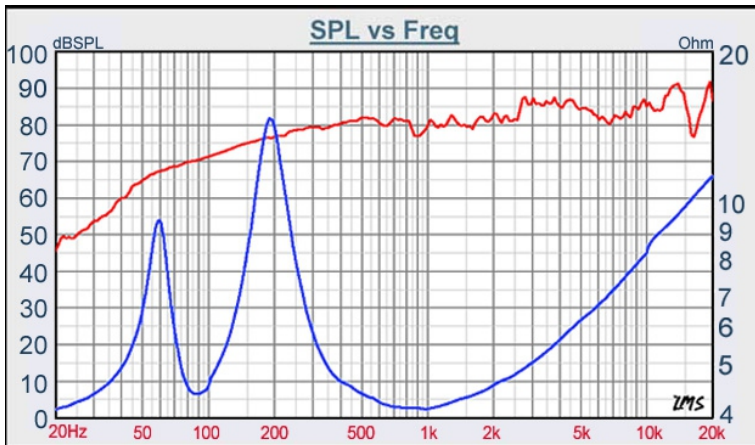
MODULE

T2-2136SA



- COMPREHENSIVE SOLUTION FOR AUDIO DESIGN.
- COMBINE DRIVER, PASSIVE RADIATOR AND BOX AS ONE UNIT, PATENTED.
- SLIM AND TINY, LOW BASS FO = 80 Hz.
- MODULE COULD BE RESHAPED TO FIT CUSTOMER'S APPLICATION.
- GOOD FOR PORTABLE DEVICES, SOUNDBAR, MULTIMEDIA...

SYSTEM SPECIFICATION



SYSTEM	Passive radiator design
ACTIVE DRIVER	57x57mm inverted shape driver
DIAPHRAGM	Alum. composite with elastomer
HOUSING	PP composite material
FINISH	Black
DIMENSIONS	70 x 70 x 58mm
VOICE COIL DIAMETER	25.4 mm
IMPEDANCE	4 ohm
POWER LOADING	10 W (RMS)
MUSIC POWER	20 W
RESPONSE RANGE	80Hz - 20KHz
SENSITIVITY 1W/1m	80 dB
FO	80 Hz
POWER RECOMMENDED	20W (RMS)
DESIGN SUGGESTION	High pass filter with 60Hz, -12dB/oct

TB SPEAKERS

VOICE:886.2.26570282 FAX:886.2.26580166
E-MAIL :info@tb-speaker.com