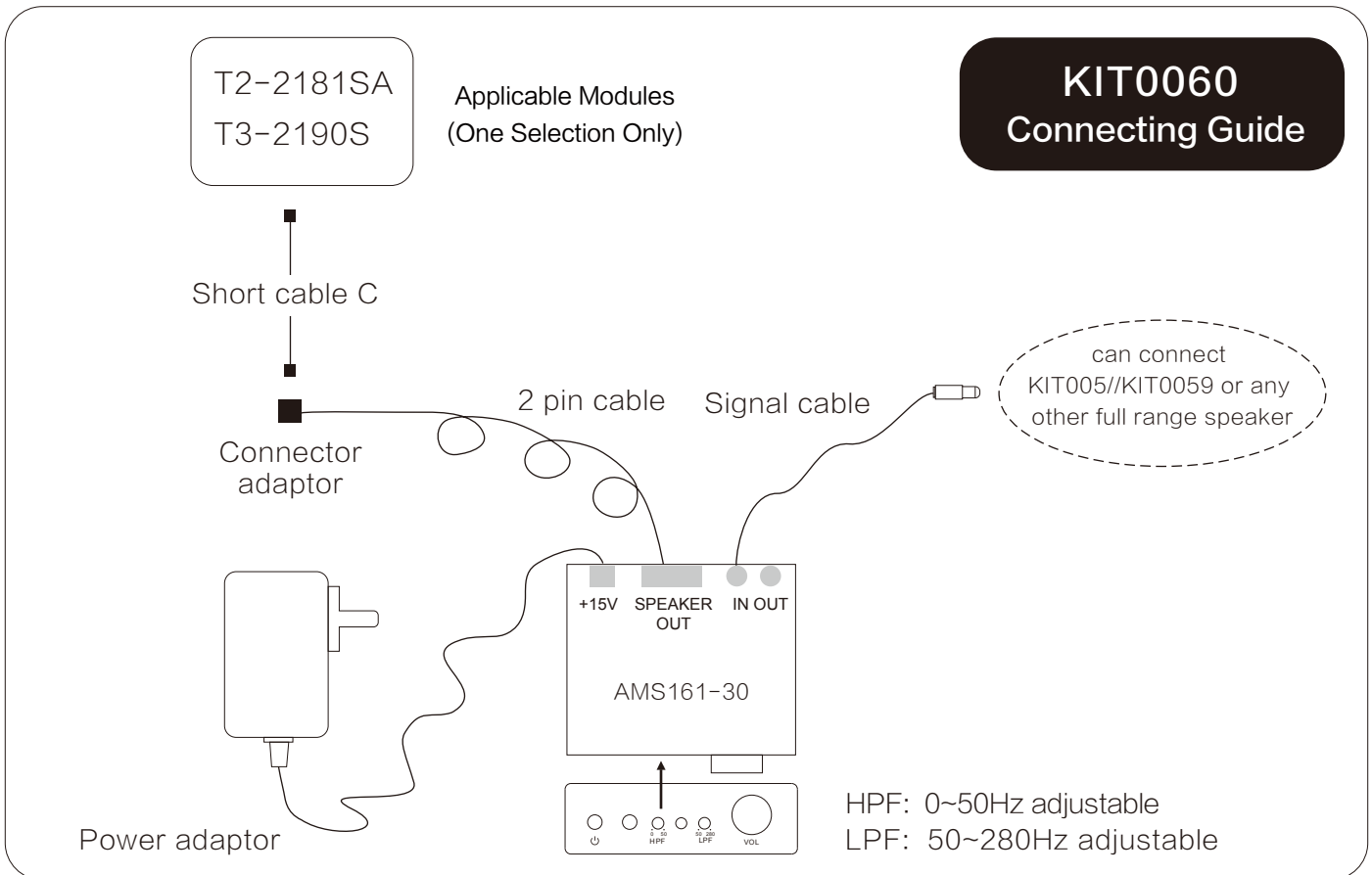


KIT0060 User Manual

(30W one channel)



Please refer connecting method to the manual for KIT0058 / KIT0059.

★ Applicable modules

T2-2181SA, T3-2190S

★ KIT0060 amplifier kit includes:

- (1) Amplifier AMS161-30: 1 pc (with housing).
- (2) 2 pin cable: 2.54 connector on both ends, 1.5m, 1 pc.
- (3) Short cable C: 2 pin, 1.25 connector on 1 end,
the other with +205/-110 pin, 200mm, 1pc.
- (4) Connector adaptor: 20*9mm PCB, 1 end 2.54 connector, the other with 1.25, 1 pc.
- (5) Power adaptor: input voltage 100V~240V (50Hz/60Hz).
output voltage DC15V, 2A, 1 pc.
- (6) Signal cable: 3.5mm headphone jack on both ends, 1m, 1pc.

★ Amplifier AMS161-30 Specs

Subwoofer amplifier	Class D	RMS: 30W*1
Distortion: 0.2%	Sensitivity: 350MV	
Input: DC15V/2A	Size: 80*85.2*24.3 mm	



Http: //www.tb-speaker.com
Email: info@tb-speaker.com