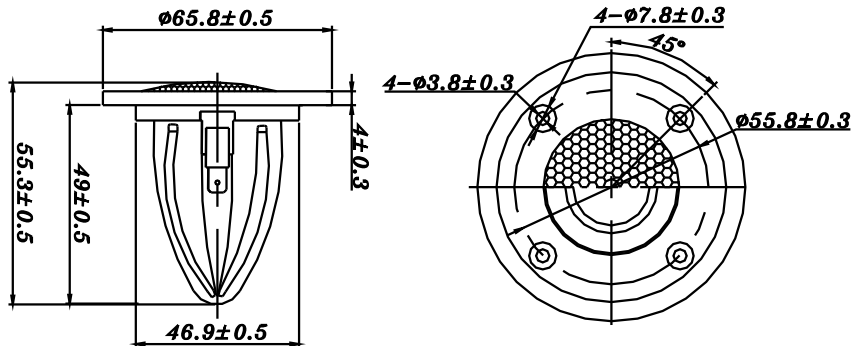


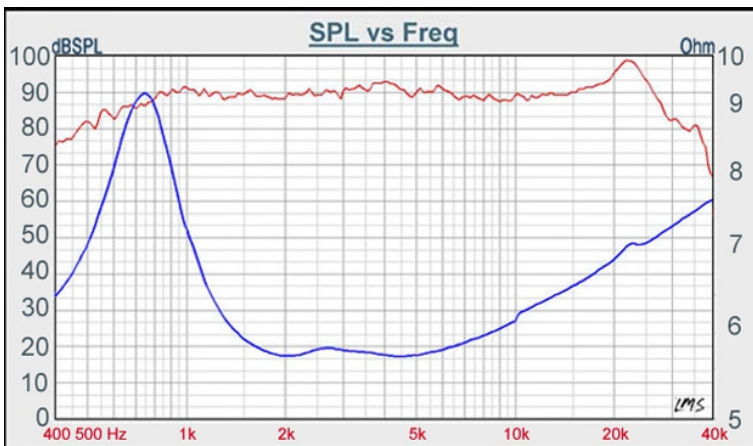
TW SERIES

25-1744S



- CERAMIC DIAPHRAGM WITH FABRIC SURROUND
- SHORT RING AND BACK CHAMBER DESIGN, Fo OF 700Hz
- LOW 2nd AND 3rd DISTORTION (LOW THD)
- EXCELLENT OFF-AXIS DISPERSION
- NEODYMIUM MAGNET
- FREQUENCY RESPONSE OF 700Hz ~ 30KHz
- FERROFLUID COOLED
- MAGNETIC SHILDED

25mm CERAMIC DOME TWEETER



| | |
|-----------------------|--------------|
| DIAPHRAGM MTL | Ceramic |
| SURROUND MTL | Fabric |
| NOMINAL IMPEDANCE | 6 Ω |
| DCR IMPEDANCE | 5 Ω |
| SENSITIVITY 1W/1M | 90 dB |
| FREQUENCY RESPONSE | 700 - 30K Hz |
| FREE AIR RESONANCE | 700 Hz |
| VOICE COIL DIAMETER | 25.4 mm |
| AIR GAP HEIGHT | 2 mm |
| RATED POWER INPUT | 8 W |
| MAXIMUM POWER INPUT | 80 W |
| FORCE FACTOR, BL | N/A |
| TYPE OF MAGNET | Neodymium |
| MOVING MASS | N/A |
| FERROFLUID ENHANCED | Yes |
| SUSPENSION COMPLIANCE | N/A |
| EFFECTIVE PISTON AREA | N/A |
| Levc | 0.003 mH |
| Zo | 9 Ω |
| Xmax | N/A |
| Vas | N/A |
| Qts | N/A |
| Qms | N/A |
| Qes | N/A |



VOICE: 886.2.26570282 FAX: 886.2.26580166
E-MAIL: info@tb-speaker.com