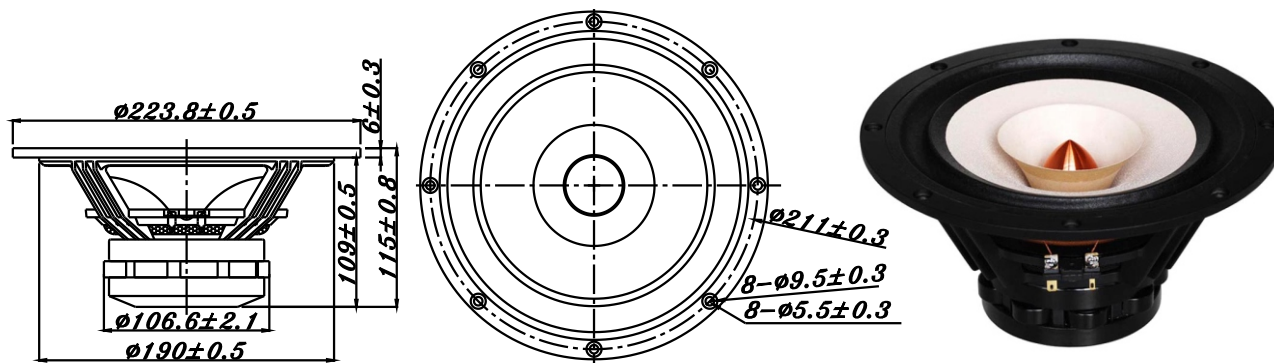


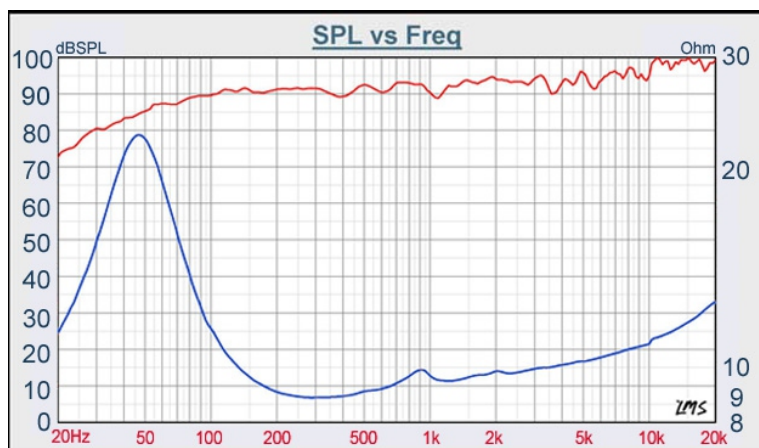
# F SERIES

# W8-1808



- 8" OF FULL RANGE SPEAKER DESIGN
- NEODYMIUM MAGNET SYSTEM, ALUMINUM PHASE PLUG
- UNDERHUNG DESIGN, VERY LOW 2<sup>nd</sup> AND 3<sup>rd</sup> DISTORTION (LOW THD)
- SPL=93dB / M / W, QTS=0.44
- PAPER CONE WITH FABRIC SURROUND

## 8" PAPER FULL RANGE



DIAPHRAGM MTL	Paper
SURROUND MTL	Fabric
NOMINAL IMPEDANCE	8 Ω
DCR IMPEDANCE	6.8 Ω
SENSITIVITY 1W/1M	93 dB
FREQUENCY RESPONSE	45Hz -20K Hz
FREE AIR RESONANCE	45 Hz
VOICE COIL DIAMETER	38.5 mm
AIR GAP HEIGHT	14 mm
RATED POWER INPUT	30 W
MAXIMUM POWER INPUT	60 W
FORCE FACTOR, BL	5.28 TM
TYPE OF MAGNET	Neodymium
MOVING MASS	9.43 g
FERROFLUID ENHANCED	No
SUSPENSION COMPLIANCE	1282 μMN <sup>-1</sup>
EFFECTIVE PISTON AREA	0.022 M <sup>2</sup>
Levc	0.048 mH
Zo	26 Ω
Xmax	5 mm
Vas	88.14 Litr
Qts	0.44
Qms	1.33
Qes	0.66



VOICE:886.2.26570282 FAX:886.2.26580166  
E-MAIL :info@tb-speaker.com