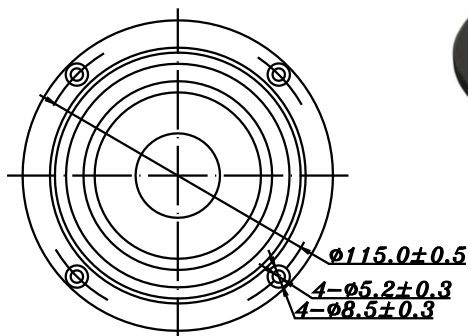
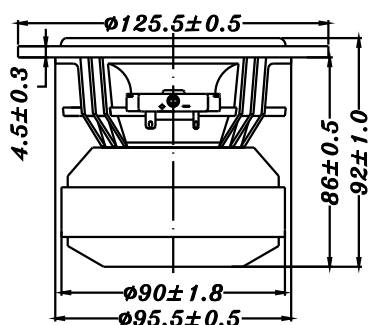


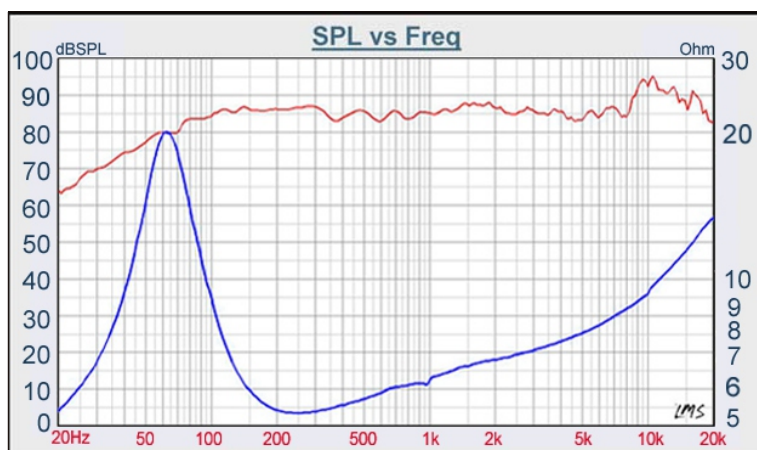
WF SERIES

W4-1720



- HUGE FERRITE MAGNET, UNDER HUNG MOTOR DESIGN
- SHORT RING ON POLE PIECE, VC = 32mm
- VERY LOW 2nd AND 3rd DISTORTION (LOW THD)
- LONG THROW, HIGH POWER LOADING, Xmax = 5mm
- ALUMINUM BASKET

4" PAPER WOOFER



DIAPHRAGM MTL	Paper
SURROUND MTL	Rubber
NOMINAL IMPEDANCE	4 Ω
DCR IMPEDANCE	3.8 Ω
SENSITIVITY 1W/1M	86 dB
FREQUENCY RESPONSE	60 - 8K Hz
FREE AIR RESONANCE	60 Hz
VOICE COIL DIAMETER	32 mm
AIR GAP HEIGHT	17 mm
RATED POWER INPUT	30 W
MAXIMUM POWER INPUT	60 W
FORCE FACTOR, BL	3.82 TM
TYPE OF MAGNET	Ferrite
MOVING MASS	5 g
FERROFLUID ENHANCED	No
SUSPENSION COMPLIANCE	1284 μMN ⁻¹
EFFECTIVE PISTON AREA	0.0057 M ²
Levc	0.037 mH
Zo	22 Ω
Xmax	5 mm
Vas	5.92 Litr
Qts	0.42
Qms	2.33
Qes	0.51

VOICE: 886.2.26570282 FAX: 886.2.26580166
E-MAIL: info@tb-speaker.com