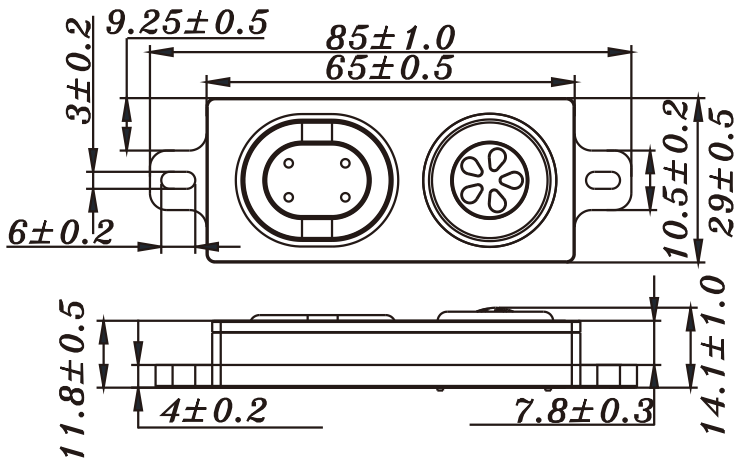


# MODULE

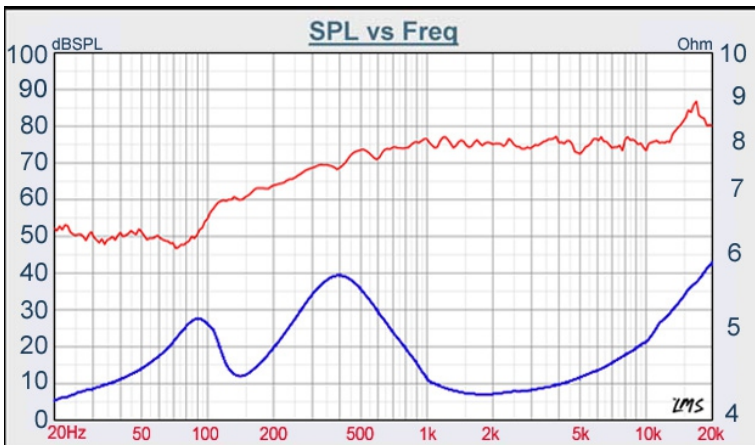
# T1-1925S



- COMPREHENSIVE SOLUTION FOR AUDIO DESIGN.
- COMBINE DRIVER, PASSIVE RADIATOR AND BOX AS ONE UNIT, PATENTED.
- SLIM AND TINY, LOW BASS FO = 150 Hz.
- MODULE COULD BE RESHAPED TO FIT CUSTOMER'S APPLICATION.
- GOOD FOR PORTABLE, SOUNDBAR, MULTIMEDIA... APPLICATION.

## SYSTEM SPECIFICATION

SYSTEM	Passive radiator design
ACTIVE DRIVER	25mm dome shape driver
DIAPHRAGM	PP composite with elastomer
HOUSING	PP composite material
FINISH	Black
DIMENSIONS	85 x 29 x 14.1mm
VOICE COIL DIAMETER	13.28 mm
IMPEDANCE	4ohm
POWER LOADING	1 W(RMS)
MUSIC POWER	2 W
RESPONSE RANGE	150Hz - 20KHz
SENSITIVITY 1W / 1m	76 dB
FO	150 Hz
POWER RECOMMENDED	2W (RMS)
DESIGN SUGGESTION	High pass filter with 150Hz, -12dB/oct



VOICE:886.2.26570282 FAX:886.2.26580166  
E-MAIL :info@tb-speaker.com