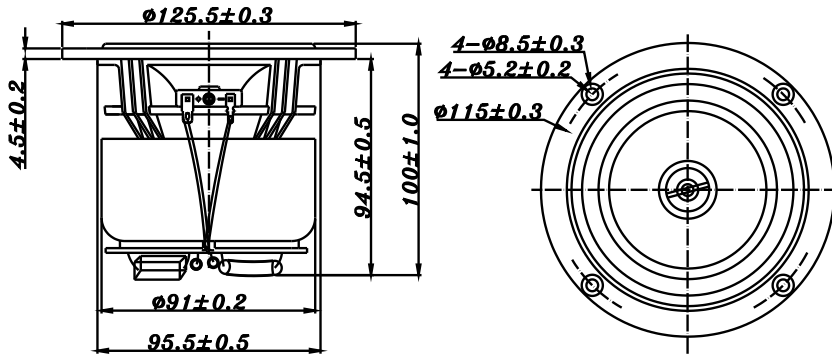


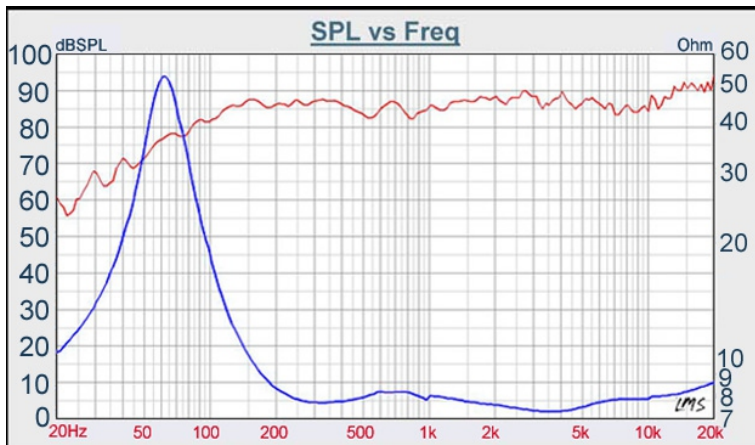
F SERIES

W4-1749S



- COAXIAL SPEAKER 13mm TWEETER AND 4" WOOFER
- PP CONE WITH RUBBER SURROUND
- FERRITE MAGNET , SHIELDED
- TINY TWEETER BUILT-IN COAXIAL SPEAKER
- SHORT RING APPLIED TO REDUCE THE DISTORTION
- CROSSOVER BUILT-IN

4" PP COAXIAL FULL RANGE



DIAPHRAGM MTL	PP
SURROUND MTL	Rubber
NOMINAL IMPEDANCE	8 Ω
DCR IMPEDANCE	6.8 Ω
SENSITIVITY 1W/1M	88 dB
FREQUENCY RESPONSE	60 - 20K Hz
FREE AIR RESONANCE	60 Hz
VOICE COIL DIAMETER	25.4 mm
AIR GAP HEIGHT	6 mm
RATED POWER INPUT	25 W
MAXIMUM POWER INPUT	50 W
FORCE FACTOR, BL	5.8 TM
TYPE OF MAGNET	Neodymium
MOVING MASS	4.99 g
FERROFLUID ENHANCED	No
SUSPENSION COMPLIANCE	1376 uMN ⁻¹
EFFECTIVE PISTON AREA	0.0057 M ²
Levc	0.051 mH
Zo	55 Ω
Xmax	0.9 mm
Vas	6.35 Litr
Qts	0.34
Qms	2.98
Qes	0.39



VOICE: 886.2.26570282 FAX: 886.2.26580166
E-MAIL: info@tb-speaker.com