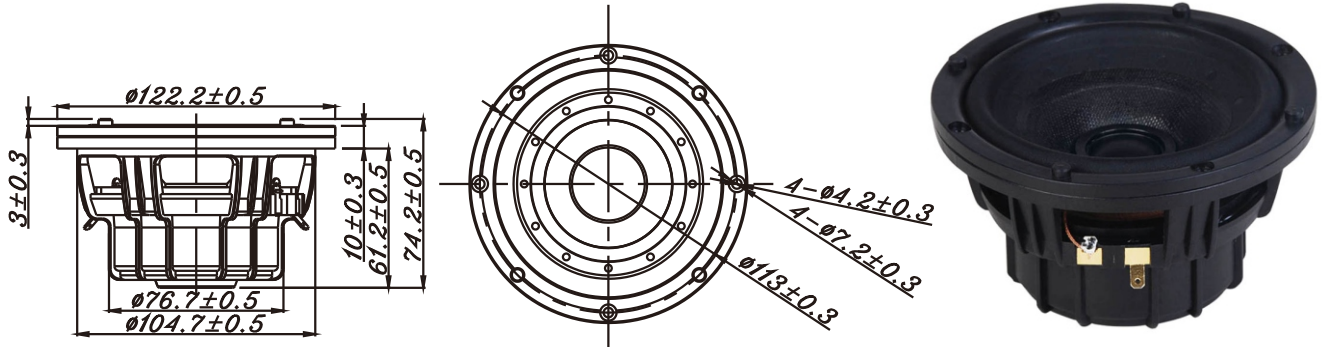


# WF SERIES

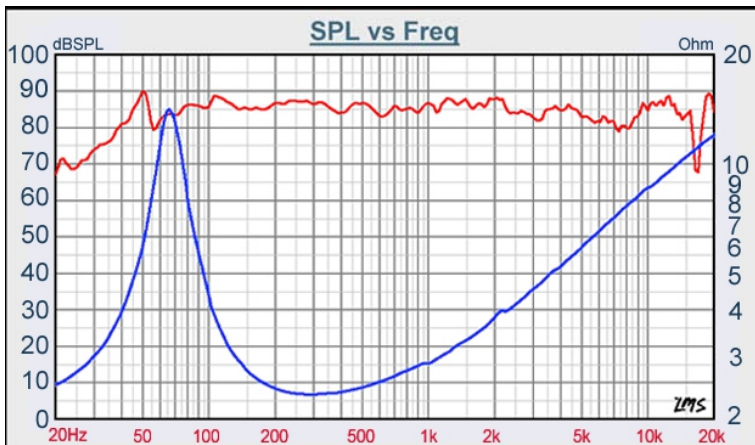
# W4-2099



- ENGINEERING PLASTIC BASKET
- HIGH HEAT PERFORMANCE OF CONE ASSEMBLY REACHED 150°C (302°F)
- GOOD FOR ANY HIGH HEAT AND DUSTY ENVIRONMENT
- VC=25.4mm, SPL=84dB
- ONE PIECE DESIGN OF BASKET/ MAGNETIC SYSTEM
- ALUMINUM DUST CAP

## 4" HIGH HEAT RESISTANT DRIVER

DIAPHRAGM MTL	Glass Fiber
SURROUND MTL	Rubber
NOMINAL IMPEDANCE	2 Ω
DCR IMPEDANCE	1.8 Ω
SENSITIVITY 1W/1m	84 dB
FREQUENCY RESPONSE	60-7 K Hz
FREE AIR RESONANCE	60 Hz
VOICE COIL DIAMETER	25.4 mm
AIR GAP HEIGHT	4 mm
RATED POWER INPUT	28 W
MAXIMUM POWER INPUT	56 W
FORCE FACTOR, BL	3.71 TM
TYPE OF MAGNET	Ferrite
MOVING MASS	9.98 g
FERROFLUID ENHANCED	No
SUSPENSION COMPLIANCE	598.98 μMN <sup>-1</sup>
EFFECTIVE PISTON AREA	0.0057 M <sup>2</sup>
Levc	0.04 mH
Zo	15 Ω
X-max	3 mm
Vas	2.76 Litr
Qts	0.47
Qms	3.71
Qes	0.54



# TB SPEAKERS

VOICE:886.2.26570282 FAX:886.2.26580166  
E-MAIL :info@tb-speaker.com