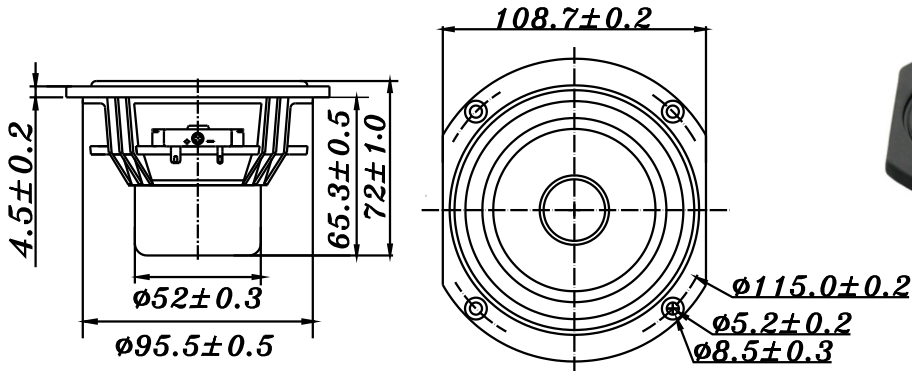


# F SERIES

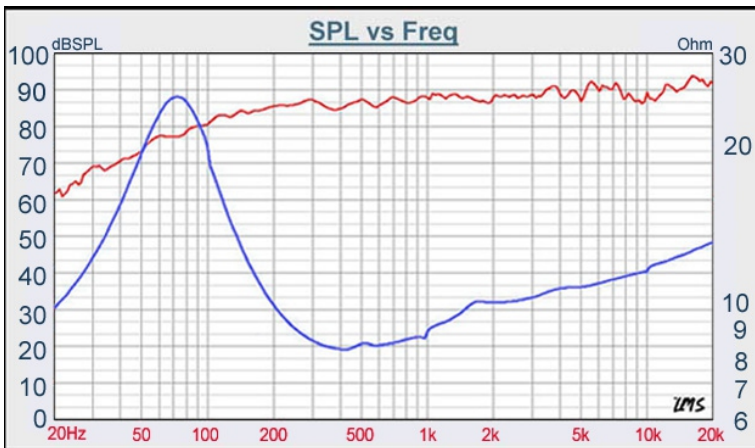
# W4-1320SJ



- LONG THROW, HIGH POWER LOADING DESIGN
- BAMBOO FIBER PAPER CONE WITH RUBBER SURROUND
- DIE CAST BASKET
- VENTED POLE PIECE
- NEODYMIUM DESIGN, MAGNETIC SHIELDED, UNDERHUNG DESIGN
- LOW 2nd, 3rd DISTORTION DESIGN

## 4" PAPER FULL RANGE

DIAPHRAGM MTL	Paper
SURROUND MTL	Rubber
NOMINAL IMPEDANCE	8 Ω
DCR IMPEDANCE	6.8 Ω
SENSITIVITY 1W/1m	89 dB
FREQUENCY RESPONSE	75 - 20K Hz
FREE AIR RESONANCE	75 Hz
VOICE COIL DIAMETER	25.4 mm
AIR GAP HEIGHT	10 mm
RATED POWER INPUT	25 W
MAXIMUM POWER INPUT	50 W
FORCE FACTOR, BL	4.7 TM
TYPE OF MAGNET	Neodymium
MOVING MASS	3.49 g
FERROFLUID ENHANCED	No
SUSPENSION COMPLIANCE	1391 $\mu\text{MN}^{-1}$
EFFECTIVE PISTON AREA	0.0057 $\text{M}^2$
Levc	0.013 mH
Zo	28 Ω
X-max	3 mm
Vas	6.41 Liter.
Qts	0.35
Qms	1.29
Qes	0.49



# TB SPEAKERS

VOICE:886.2.26570282 FAX:886.2.26580166  
E-MAIL :info@tb-speaker.com