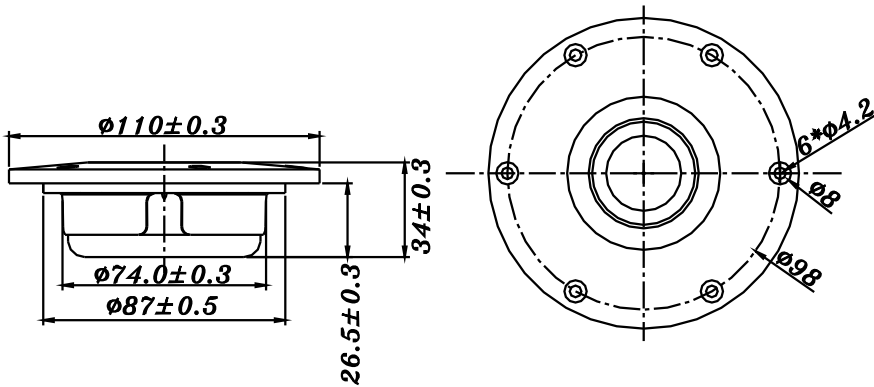


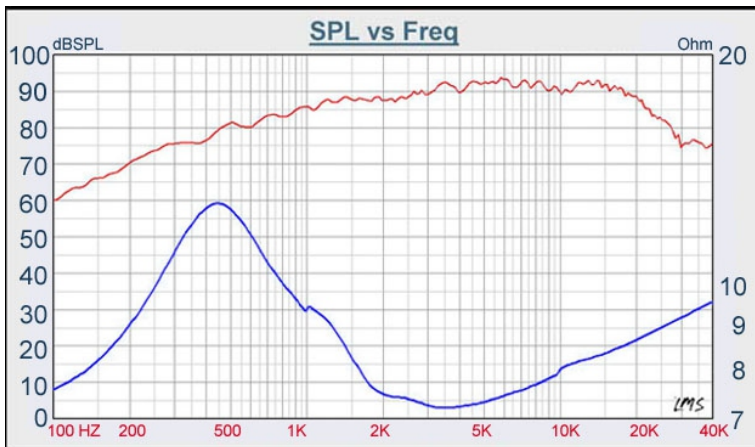
**TW** SERIES

**25-1742S**



- SHORT RING, BACK CHAMBER DESIGN,  $F_0 = 450\text{Hz}$
- LOW 2<sup>nd</sup> AND 3<sup>rd</sup> DISTORTION (LOW THD)
- EXCELLENT OFF-AXIS DISPERSION
- FREQUENCY RESPONSE OF 450Hz ~20KHz
- FERROFLUID COOLED
- MAGNETIC SHIELDED

**25mm FABRIC DOME TWEETER**



DIAPHRAGM MTL	Fabric
SURROUND MTL	N/A
NOMINAL IMPEDANCE	8 Ω
DCR IMPEDANCE	6 Ω
SENSITIVITY 1W/1M	91 dB
FREQUENCY RESPONSE	450 - 20K Hz
FREE AIR RESONANCE	450 Hz
VOICE COIL DIAMETER	25.4 mm
AIR GAP HEIGHT	2.5 mm
RATED POWER INPUT	8 W
MAXIMUM POWER INPUT	80 W
FORCE FACTOR, BL	N/A
TYPE OF MAGNET	Neodymium
MOVING MASS	N/A
FERROFLUID ENHANCED	Yes
SUSPENSION COMPLIANCE	N/A
EFFECTIVE PISTON AREA	N/A
Levc	0.005 mH
Zo	13 Ω
Xmax	N/A
Vas	N/A
Qts	N/A
Qms	N/A
Qes	N/A



VOICE: 886.2.26570282 FAX: 886.2.26580166  
E-MAIL: info@tb-speaker.com