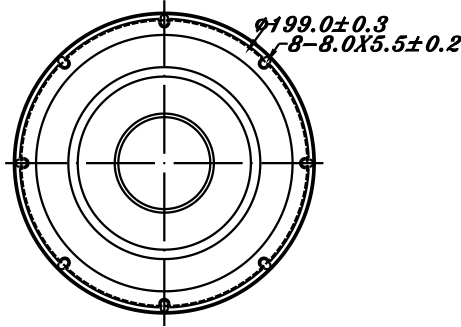
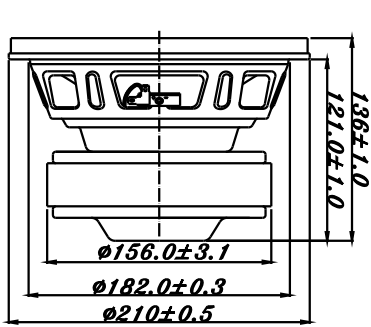


SU SERIES

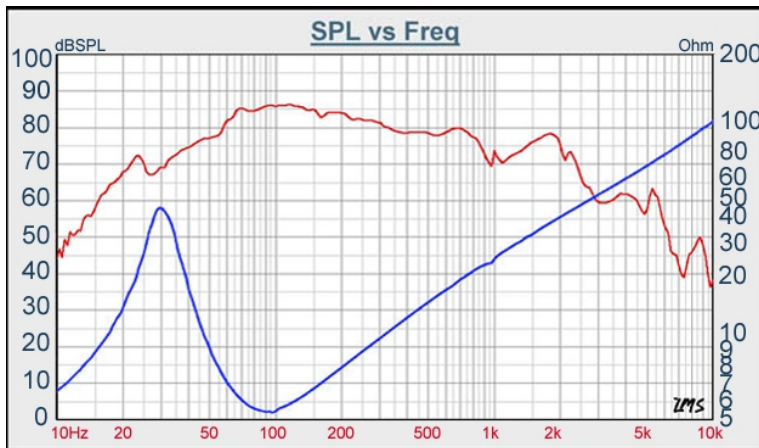
W8-740Q



- LONG THROW HIGH POWER LOADING DESIGN ($X_{max}=12\text{mm}$)
- PAPER CONE WITH RUBBER SURROUND (LIGHT WEIGHT & HIGH STIFFNESS)
- VENTED POLE PIECE
- STAMPED STEEL BASKET
- SUITABLE FOR SUBWOOFER APPLICATION
- MAGNETIC VOICE COIL

8" PAPER SUBWOOFER

DIAPHRAGM MTL	Paper
SURROUND MTL	NBR
NOMINAL IMPEDANCE	4 Ω
DCR IMPEDANCE	3.2 Ω
SENSITIVITY 1W/1m	83 dB
FREQUENCY RESPONSE	32-700 Hz
FREE AIR RESONANCE	32 Hz
VOICE COIL DIAMETER	49.5 mm
AIR GAP HEIGHT	8 mm
RATED POWER INPUT	150 W
MAXIMUM POWER INPUT	300 W
FORCE FACTOR, BL	14.6 TM
TYPE OF MAGNET	Ferrite
MOVING MASS	104.7 g
FERROFLUID ENHANCED	No
SUSPENSION COMPLIANCE	228.33 μMN^{-1}
EFFECTIVE PISTON AREA	0.022 M^2
Levc	0.88 mH
Zo	35 Ω
X-max	12.1 mm
Vas	15.69 Litr
Qts	0.28
Qms	3.01
Qes	0.31



TB SPEAKERS

VOICE:886.2.26570282 FAX:886.2.26580166
E-MAIL :info@tb-speaker.com