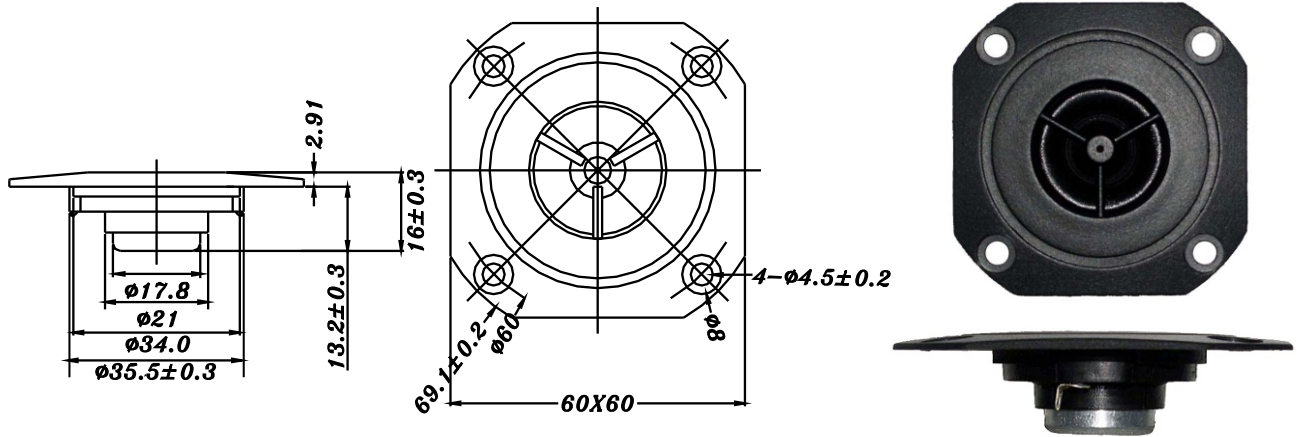


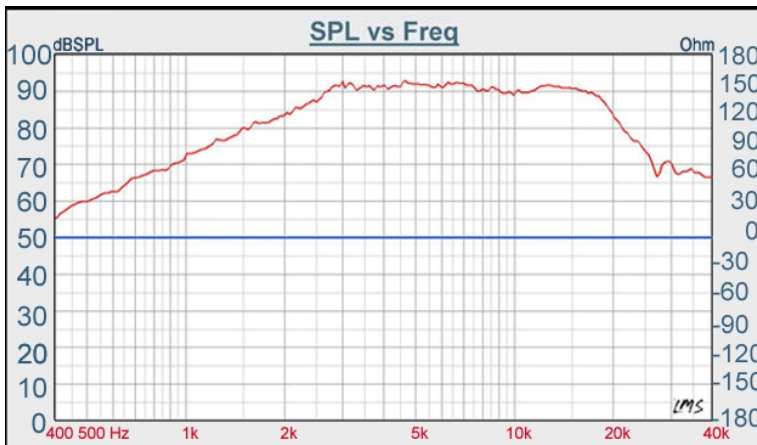
# TW SERIES

# 13-1264SE



- SOFT FABRIC DOME DIAPHRAGM COATING WITH HIGH LOSS MATERIAL
- FERROFLUID COOLED
- ABS FRONT PANEL
- NEODYMIUM DESIGN, MAGNETIC

## 1/2" FABRIC DOME TWEETER



DIAPHRAGM MTL	Fabric
SURROUND MTL	N/A
NOMINAL IMPEDANCE	6 Ω
DCR IMPEDANCE	5.6 Ω
SENSITIVITY 1W/1m	90 dB
FREQUENCY RESPONSE	3000 -20K Hz
FREE AIR RESONANCE	3000 Hz
VOICE COIL DIAMETER	13.28 mm
AIR GAP HEIGHT	1.5 mm
RATED POWER INPUT	3.5 W
MAXIMUM POWER INPUT	50 W
FORCE FACTOR, BL	N/A
TYPE OF MAGNET	Neodymium
MOVING MASS	N/A
FERROFLUID ENHANCED	Yes
SUSPENSION COMPLIANCE	N/A
EFFECTIVE PISTON AREA	N/A
Levc	N/A
Zo	N/A
X-max	N/A
Vas	N/A
Qts	N/A
Qms	N/A
Qes	N/A

VOICE: 886.2.26570282 FAX: 886.2.26580166  
E-MAIL: info@tb-speaker.com