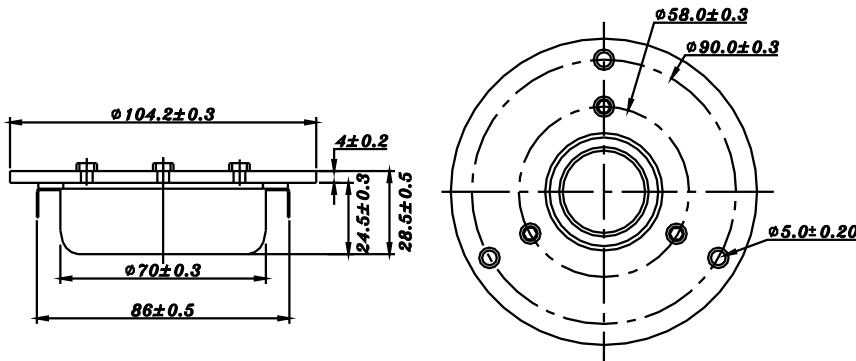


# TW SERIES

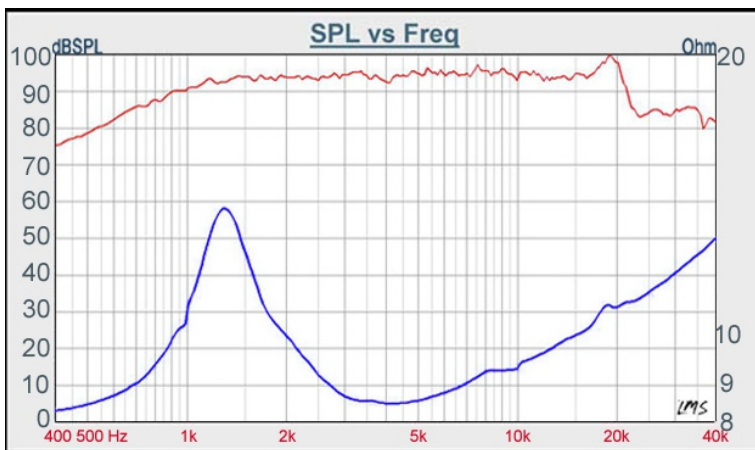
# 25-1372SC



- REVERSE TITANIUM DOME DIAPHRAGM WITH FABRIC SURROUND
- FERROFLUID COOLED
- SPECIAL NEODYMIUM DESIGN, HIGH SPL OF 94dB/M/W
- ALUMINIUM FRONT PANEL
- VERY WILD DISPERSION ANGLE
- SHORT RING TREATED

## 1" TITANIUM DOME/ NEODYMIUM TWEETER

DIAPHRAGM MTL	Titanium
SURROUND MTL	Fabric
NOMINAL IMPEDANCE	6 Ω
DCR IMPEDANCE	5.8 Ω
SENSITIVITY 1W/1m	94 dB
FREQUENCY RESPONSE	1300 -20K Hz
FREE AIR RESONANCE	1300 Hz
VOICE COIL DIAMETER	25.4 mm
AIR GAP HEIGHT	4 mm
RATED POWER INPUT	8 W
MAXIMUM POWER INPUT	80 W
FORCE FACTOR, BL	N/A
TYPE OF MAGNET	Neodymium
MOVING MASS	N/A
FERROFLUID ENHANCED	Yes
SUSPENSION COMPLIANCE	N/A
EFFECTIVE PISTON AREA	N/A
Levc	0.011 mh
ZO	14 Ω
X-max	1.1 mm
Vas	N/A
Qts	0.50
Qms	1.14
Qes	0.90



# TB SPEAKERS

VOICE:886.2.26570282 FAX:886.2.26580166  
E-MAIL :info@tb-speaker.com