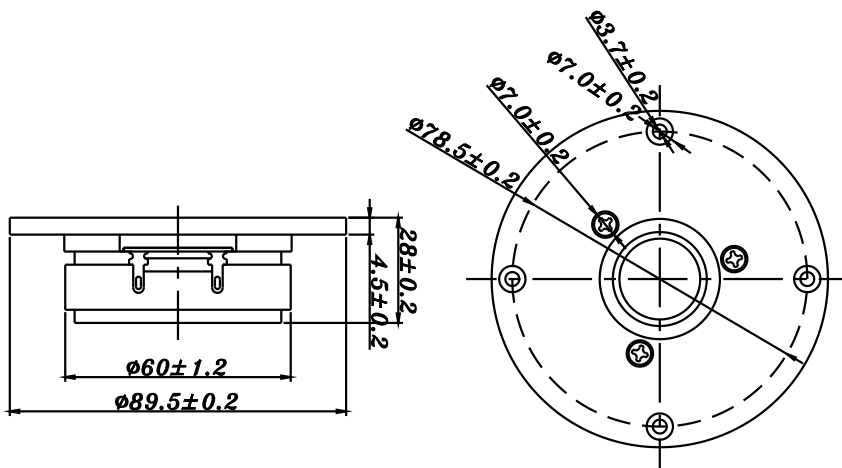


NS SERIES

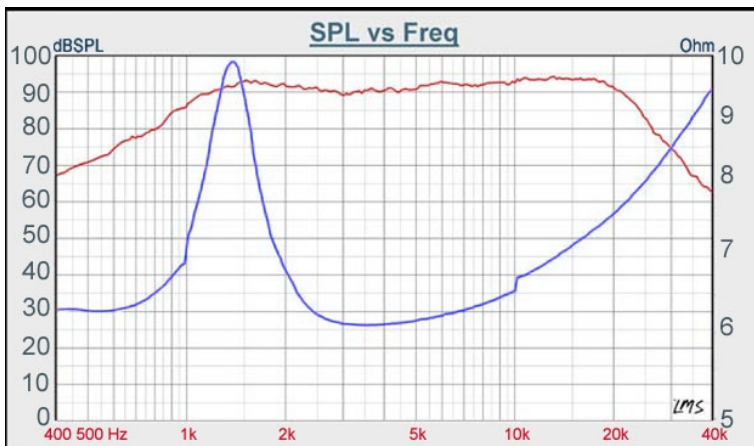
20-546A



- SOFT FABRIC DOME DIAPHRAGM COATING WITH HIGH LOSS MATERIAL
- FERROFLUID COOLED
- WOOL IN CAVITY OF POLE PIECE
- ABS FRONT PANEL
- CCAW VOICE COIL

3/4" FABRIC DOME TWEETER

DIAPHRAGM MTL	Fabric
SURROUND MTL	N/A
NOMINAL IMPEDANCE	6 Ω
DCR IMPEDANCE	5 Ω
SENSITIVITY 1W/1m	90 dB
FREQUENCY RESPONSE	1500 - 20K Hz
FREE AIR RESONANCE	1500 Hz
VOICE COIL DIAMETER	20 mm
AIR GAP HEIGHT	4 mm
RATED POWER INPUT	5 W
MAXIMUM POWER INPUT	60 W
FORCE FACTOR, BL	N/A
TYPE OF MAGNET	Ferrite
MOVING MASS	N/A
FERROFLUID ENHANCED	Yes
SUSPENSION COMPLIANCE	N/A
EFFECTIVE PISTON AREA	N/A
Levc	N/A
Zo	N/A
X-max	N/A
Vas	N/A
Qts	N/A
Qms	N/A
Qes	N/A



VOICE: 886.2.26570282 FAX: 886.2.26580166
E-MAIL: info@tb-speaker.com