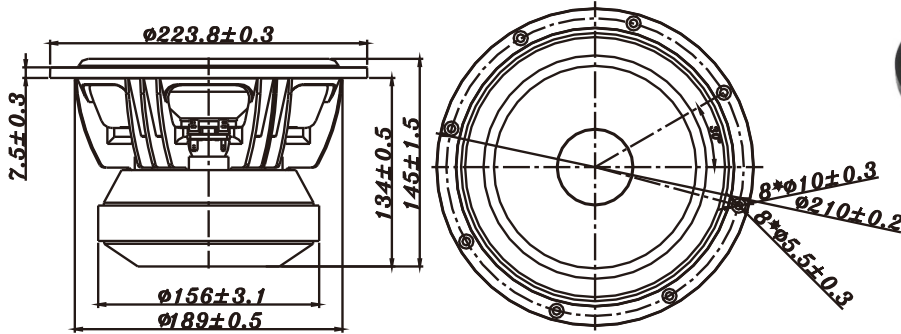


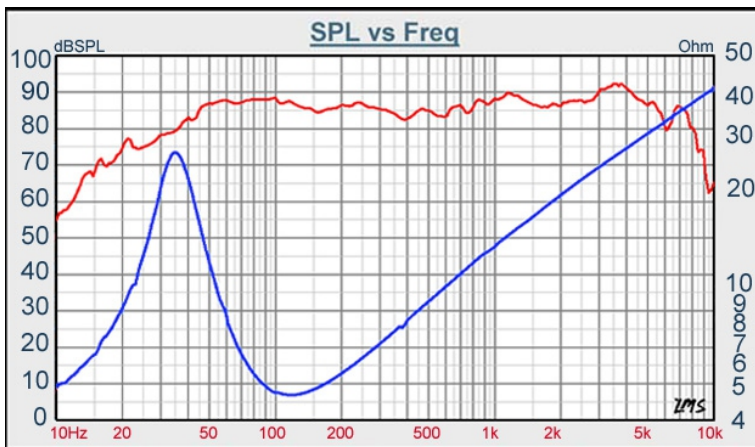
WF SERIES

W8-2096



- HUGE FERRITE MAGNET, AND UNDER HUNG MOTOR DESIGN
- SHORT RING VC = 49.5mm
- VERY LOW 2nd AND 3rd DISTORTION (LOW THD)
- LONG THROW, HIGH POWER LOADING, X_{max} = 8.5mm
- COATED PAPER CONE WITH WIDE RANGE TEMPERATURE OF FOAM RUBBER SURROUND

8" MIDBASS



DIAPHRAGM MTL	Paper
SURROUND MTL	Foam Rubber
NOMINAL IMPEDANCE	4 Ω
DCR IMPEDANCE	3.6 Ω
SENSITIVITY 1W/1M	88 dB
FREQUENCY RESPONSE	35-6K Hz
FREE AIR RESONANCE	35 Hz
VOICE COIL DIAMETER	49.5 mm
AIR GAP HEIGHT	25 mm
RATED POWER INPUT	80 W
MAXIMUM POWER INPUT	160 W
FORCE FACTOR, BL	7.78 TM
TYPE OF MAGNET	Ferrite
MOVING MASS	34.92 g
FERROFLUID ENHANCED	No
SUSPENSION COMPLIANCE	595.80 μMN^{-1}
EFFECTIVE PISTON AREA	0.022 M ²
Levc	0.262 mH
Zo	26 Ω
X _{max}	8.50 mm
Vas	40.95 Litr
Qts	0.39
Qms	2.80
Qes	0.46

TB SPEAKERS

VOICE:886.2.26570282 FAX:886.2.26580166
E-MAIL :info@tb-speaker.com