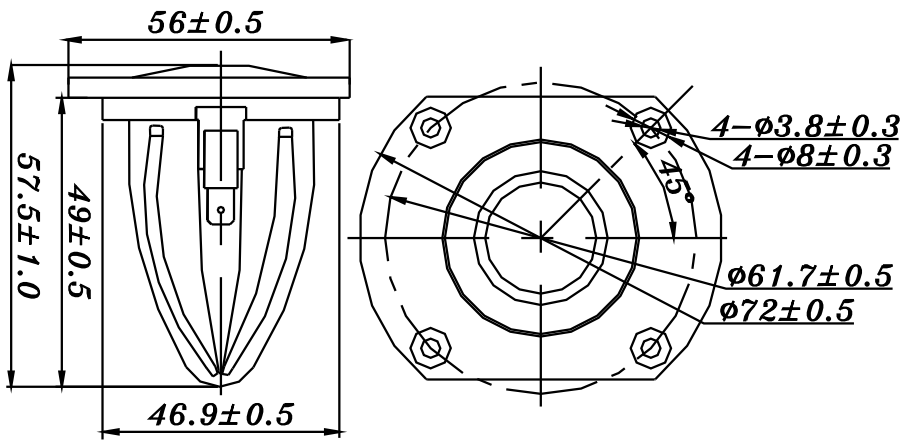


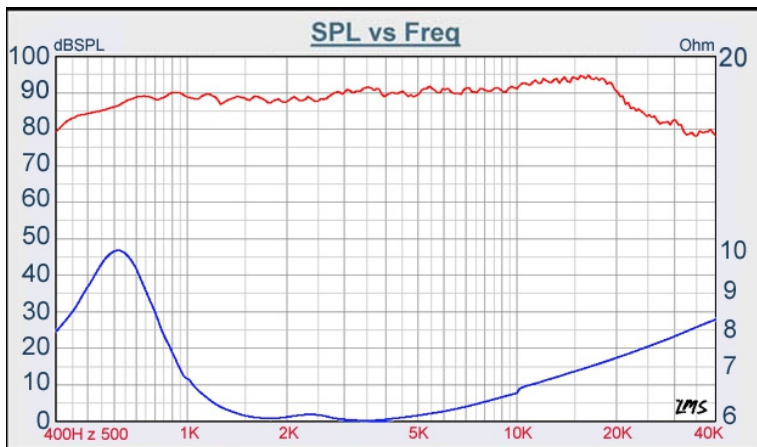
# TW SERIES

# 25-1933S



- LOW FO = 600Hz
- CLEAR, HIGH LOSS MATERIAL COATED, SOFT DOME DIAPHRAGM
- SHORT RING AND BACK CHAMBER DESIGN
- VERY LOW THD (2<sup>nd</sup> AND 3<sup>rd</sup> HARMONIC DISTORTION)
- NEO MAGNET
- FERROFLUID COOLED
- MAGNETIC SHIELDED

## 25mm FABRIC DOME TWEETER



DIAPHRAGM MTL	Fabric
SURROUND MTL	N/A
NOMINAL IMPEDANCE	6 $\Omega$
DCR IMPEDANCE	5 $\Omega$
SENSITIVITY 1W/1m	90 dB
FREQUENCY RESPONSE	600 - 20K Hz
FREE AIR RESONANCE	600 Hz
VOICE COIL DIAMETER	25.4 mm
AIR GAP HEIGHT	2 mm
RATED POWER INPUT	8 W
MAXIMUM POWER INPUT	80 W
FORCE FACTOR, BL	N/A
TYPE OF MAGNET	Neodymium
MOVING MASS	N/A
FERROFLUID ENHANCED	Yes
SUSPENSION COMPLIANCE	N/A
EFFECTIVE PISTON AREA	N/A
Levc	N/A
Zo	N/A
X-max	N/A
Vas	N/A
Qts	N/A
Qms	N/A
Qes	N/A



VOICE: 886.2.26570282 FAX: 886.2.26580166  
E-MAIL: info@tb-speaker.com