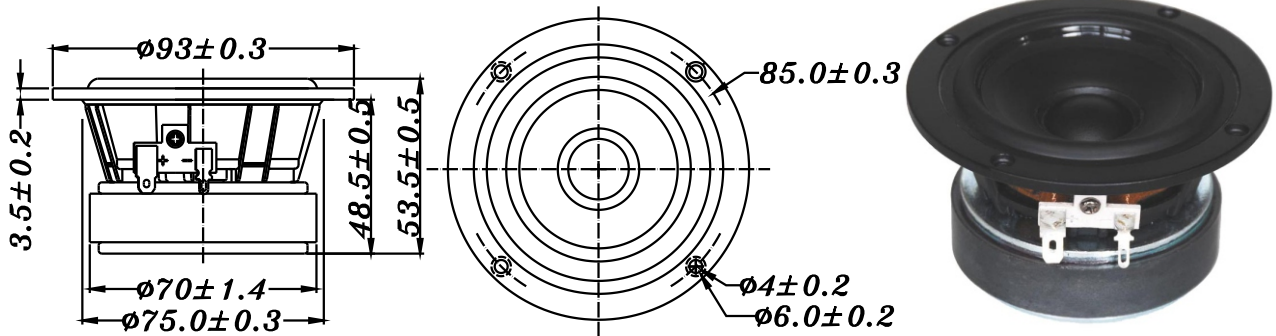


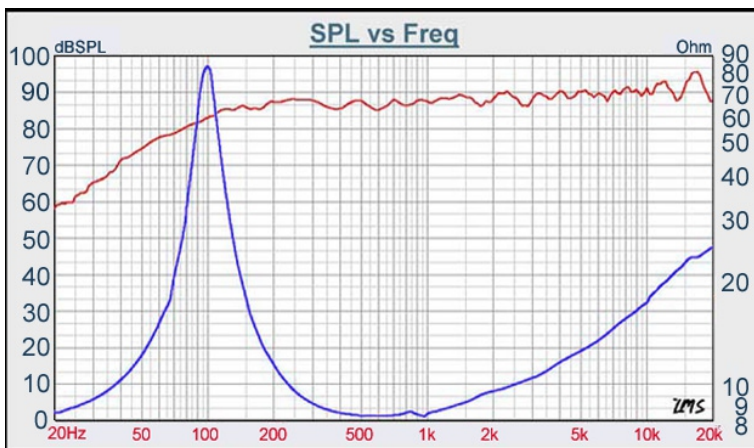
# F SERIES

# W3-316B



- FULL RANGE FREQUENCY RESPONSE
- DIE CAST BASKET
- PPM CONE WITH SANTOPRENE SURROUND
- CCAW WITH KAPTON BOBBIN
- VENTED BASKET UNDER SPIDER

## 3" PPM CONE/ FULL RANGE



DIAPHRAGM MTL	PPM
SURROUND MTL	Santoprene
NOMINAL IMPEDANCE	8 Ω
DCR IMPEDANCE	6.6 Ω
SENSITIVITY 1W/1m	88 dB
FREQUENCY RESPONSE	100 - 20K Hz
FREE AIR RESONANCE	100 Hz
VOICE COIL DIAMETER	20.4 mm
AIR GAP HEIGHT	4 mm
RATED POWER INPUT	12 W
MAXIMUM POWER INPUT	25 W
FORCE FACTOR, BL	4.13 TM
TYPE OF MAGNET	Ferrite
MOVING MASS	2 g
FERROFLUID ENHANCED	No
SUSPENSION COMPLIANCE	1302 μMN <sup>-1</sup>
EFFECTIVE PISTON AREA	0.0032 M <sup>2</sup>
Levc	0.073 mH
Zo	80 Ω
X-max	1.2 mm
Vas	1.89 Liter
Qts	0.44
Qms	5.62
Qes	0.48

**TB** SPEAKERS

VOICE 886.2.26570282 FAX 886.2.26580166  
E-MAIL : info@tb-speaker.com