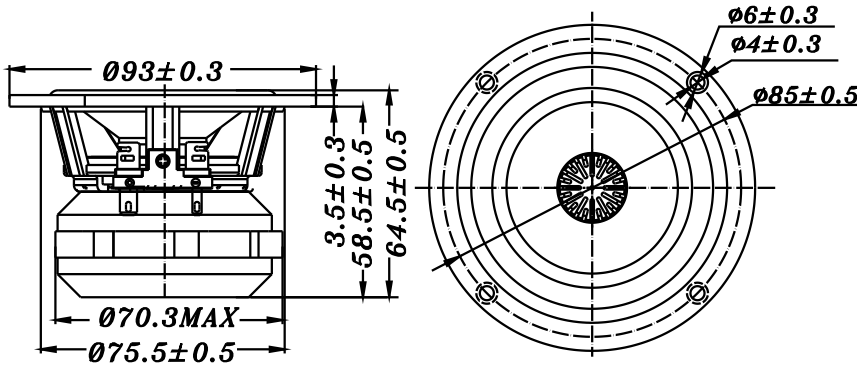


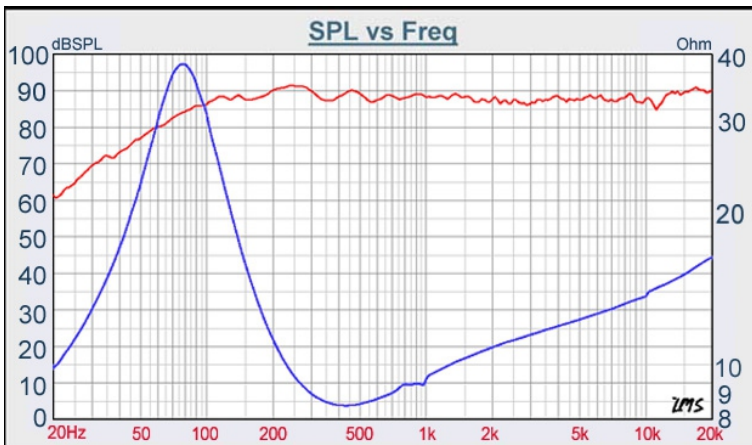
F SERIES

W3-1878



- FULL RANGE DESIGN
- UNDERHUNG MOTOR DESIGN WITH NEO MAGNET, Xmax = 4mm
- VERY LOW THD (2nd AND 3rd HARMONIC DISTORTION)
- UNIQUE PHASE PLUG FOR BETTER DISPERSION
- BAMBOO FIBER PAPER CONE WITH DURABLE FOAM RUBBER SURROUND

3" PAPER FULL RANGE



DIAPHRAGM MTL	Paper
SURROUND MTL	Foam Rubber
NOMINAL IMPEDANCE	8 Ω
DCR IMPEDANCE	6.5 Ω
SENSITIVITY 1W/1m	88 dB
FREQUENCY RESPONSE	75 - 20K Hz
FREE AIR RESONANCE	75 Hz
VOICE COIL DIAMETER	20.4 mm
AIR GAP HEIGHT	12 mm
RATED POWER INPUT	12 W
MAXIMUM POWER INPUT	25 W
FORCE FACTOR, BL	4.30 TM
TYPE OF MAGNET	Neodymium
MOVING MASS	2.0 g
FERROFLUID ENHANCED	No
SUSPENSION COMPLIANCE	2117 μMN ⁻¹
EFFECTIVE PISTON AREA	0.0032 M ²
Levc	0.023 mH
Zo	38 Ω
X-max	4.2 mm
Vas	3.08 Litr
Qts	0.28
Qms	1.67
Qes	0.34



VOICE:886.2.26570282 FAX:886.2.26580166
E-MAIL :info@tb-speaker.com