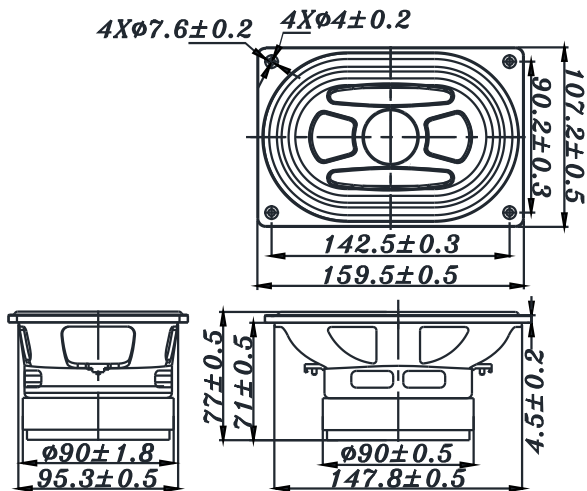


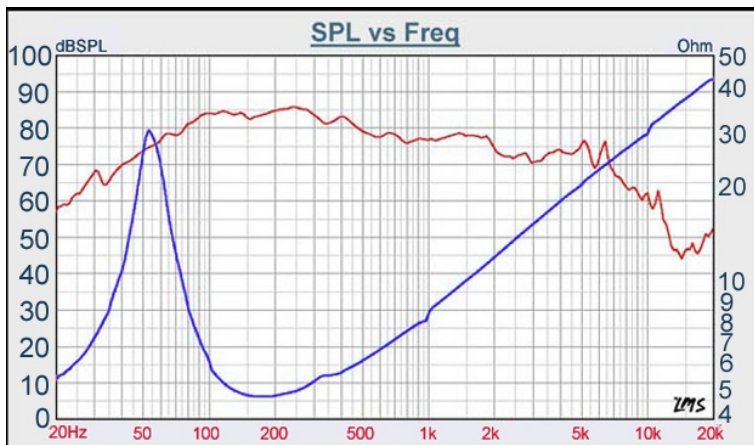
SU SERIES

W46-1316N



- LONG THROW HIGH POWER LOADING DESIGN
- PP CONE WITH RUBBER SURROUND
- NYLON COMPOSITE BASKET
- INTENDED FOR SLIM OR FLAT SUBWOOFER SPEAKER BOX DESIGN
- VENTED POLE PIECE
- GOOD FOR HOME THEATER, HI-FI, CAR, MULTI-MEDIA APPLICATION

4*6" PPM SUBWOOFER



DIAPHRAGM MTL	PP
SURROUND MTL	Rubber
NOMINAL IMPEDANCE	4 Ω
DCR IMPEDANCE	3.2 Ω
SENSITIVITY 1W/1m	85 dB
FREQUENCY RESPONSE	50 - 2 K Hz
FREE AIR RESONANCE	50 Hz
VOICE COIL DIAMETER	32 mm
AIR GAP HEIGHT	5 mm
RATED POWER INPUT	30 W
MAXIMUM POWER INPUT	60 W
FORCE FACTOR, BL	5.73 TM
TYPE OF MAGNET	Ferrite
MOVING MASS	15.38 g
FERROFLUID ENHANCED	No
SUSPENSION COMPLIANCE	549.88 μMN^{-1}
EFFECTIVE PISTON AREA	0.00935 M^2
Levc	0.0168 mH
Zo	27 Ω
X-max	5 mm
Vas	6.83 Litr
Qts	0.46
Qms	4.07
Qes	0.52

TR SPEAKERS

P.O. BOX 10-53 NEI HU, TAIPEI, TAIWAN
VOICE 886.2.26570282 FAX 886.2.26580166