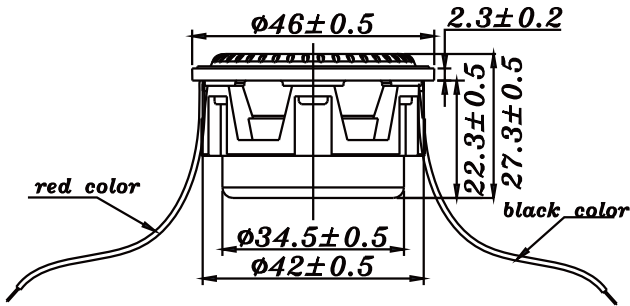


# F SERIES

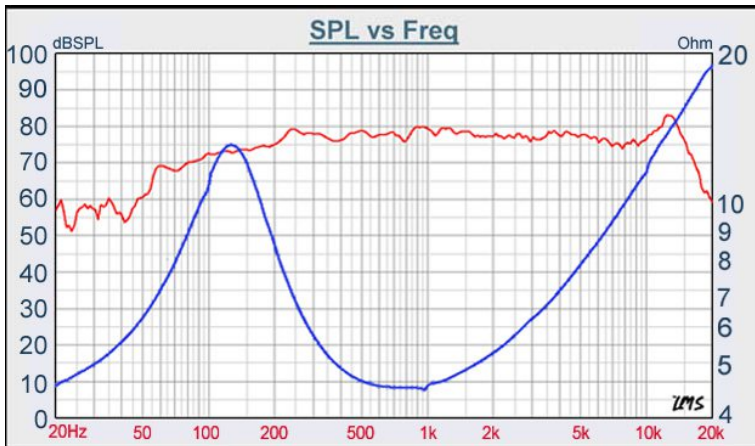
# W1-2121S



- THE HIGHEST PERFORMANCE OF INNOVATIVE, TINY FULL RANGE DRIVER DESIGN
- OUTSIDE DIAMETER OF 46mm, Fo:120Hz
- ALUMINUM DIAPHRAGM WITH SANTOPRENE SURROUND
- NEODYMIUM MAGNET SYSTEM
- PATENTED PRODUCT WITH EXCELLENT CONSISTENCY
- IT'S GOOD FOR MULTIMEDIA APPLICATION

## 1" ALUM, FULL RANGE

DIAPHRAGM MTL	Aluminum
SURROUND MTL	Santoprene
NOMINAL IMPEDANCE	4 W
DCR IMPEDANCE	3.5 W
SENSITIVITY 1W/1m	79 dB
FREQUENCY RESPONSE	120 -15K Hz
FREE AIR RESONANCE	120 Hz
VOICE COIL DIAMETER	28 mm
AIR GAP HEIGHT	2.3 mm
RATED POWER INPUT	6 W
MAXIMUM POWER INPUT	12 W
FORCE FACTOR, BL	3.14 TM
TYPE OF MAGNET	Neodymium
MOVING MASS	1.68 g
FERROFLUID ENHANCED	YES
SUSPENSION COMPLIANCE	949.41 $\mu\text{MN}^{-1}$
EFFECTIVE PISTON AREA	0.0009 $\text{M}^2$
Levc	0.070 mH
Zo	15 W
X-max	2.3 mm
Vas	0.11 Liter
Qts	0.35
Qms	1.33
Qes	0.47



VOICE:886.2.26570282 FAX:886.2.26580166  
E-MAIL :info@tb-speaker.com