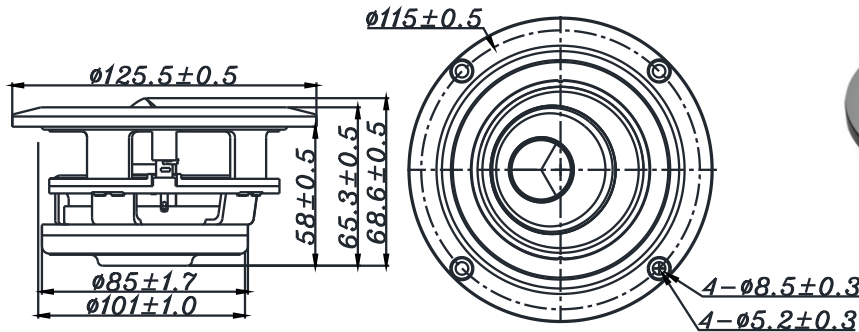


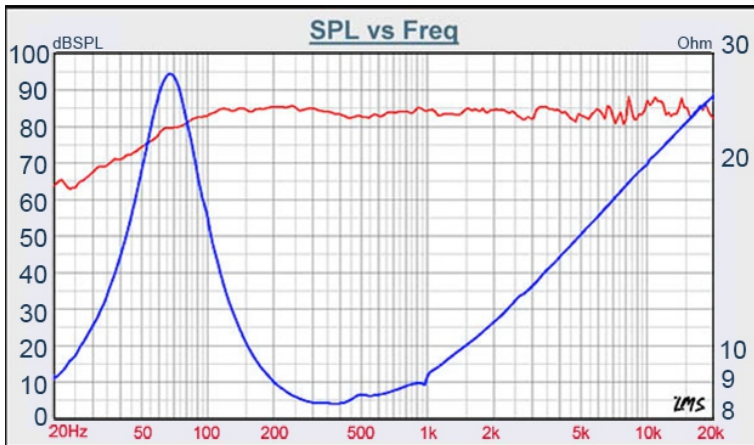
F SERIES

W4-2356



- THE ORIGINAL 4" OFF-AXIS DESIGN SOLVES DIFFICULT DIFFRACTION PROBLEMS AND MAKES CABINET DESIGN EASIEST.
- INJECTION PP CONE
- THREE-DIMENSIONAL STRUCTURE ALUMINUM BULLET HEAD FOR BEST DIFFUSION.
- NEO MAGNETIC MOTOR, UNDERHUNG STRUCTURE, LOW SECOND, THIRD HARMONIC DISTORTION.
- HIGH-RIGIDITY COMPOSITE PP CONE, WITH RUBBER SURROUND.
- PATENTED TWO-PIECE (ENGINEER PLASTIC) BASIN.

4" PP OFF-AXIS FULL RANGE



DIAPHRAGM MTL	Black PP
SURROUND MTL	Santoprene
NOMINAL IMPEDANCE	8 Ω
DCR IMPEDANCE	6.8 Ω
SENSITIVITY 1W/1M	85 dB
FREQUENCY RESPONSE	70 - 20 K Hz
FREE AIR RESONANCE	70 Hz
VOICE COIL DIAMETER	25.4 mm
AIR GAP HEIGHT	10 mm
RATED POWER INPUT	25 W
MAXIMUM POWER INPUT	50 W
FORCE FACTOR, BL	4.94 TM
TYPE OF MAGNET	Neodymium
MOVING MASS	4.99 g
FERROFLUID ENHANCED	No
SUSPENSION COMPLIANCE	1118 μMN^{-1}
EFFECTIVE PISTON AREA	0.005 M^2
Levc	0.06 mH
Zo	27 Ω
X-max	3 mm
Vas	3.97 Liter.
Qts	0.45
Qms	1.83
Qes	0.59

TB SPEAKERS

VOICE:886.2.26570282 FAX:886.2.26580166
E-MAIL :info@tb-speaker.com