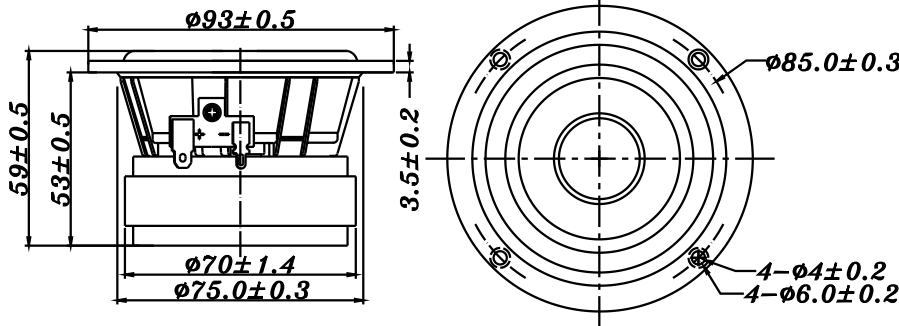


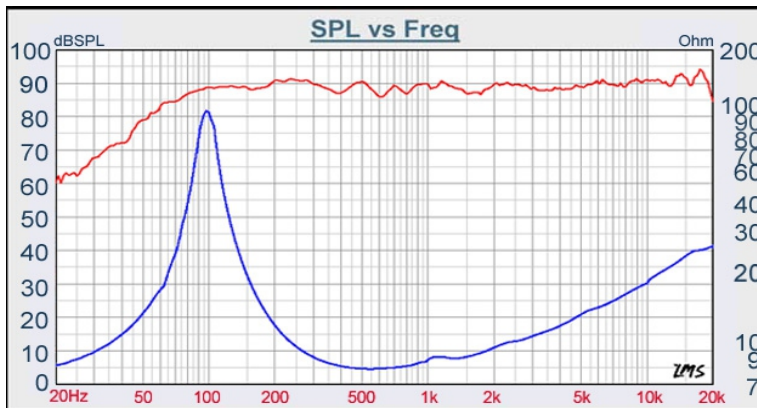
# F SERIES

# W3-881SJF



- FULL RANGE FREQUENCY RESPONSE
- DIE CAST BASKET
- PPM CONE WITH SANTOPRENE SURROUND
- CCAW WITH KAPTON BOBBIN

## 3" PPM FULL RANGE



DIAPHRAGM MTL	Natural color PPM
SURROUND MTL	Santoprene
NOMINAL IMPEDANCE	8 Ω
DCR IMPEDANCE	6.6 Ω
SENSITIVITY 1W/1m	88 dB
FREQUENCY RESPONSE	100 - 20K Hz
FREE AIR RESONANCE	100 Hz
VOICE COIL DIAMETER	20.4 mm
AIR GAP HEIGHT	6.0 mm
RATED POWER INPUT	15 W
MAXIMUM POWER INPUT	30 W
FORCE FACTOR, BL	4.47 TM
TYPE OF MAGNET	Ferrite
MOVING MASS	2.0 g
FERROFLUID ENHANCED	No
SUSPENSION COMPLIANCE	1302 μMN <sup>-1</sup>
EFFECTIVE PISTON AREA	0.0032 M <sup>2</sup>
Levc	0.081 mH
Zo	110 Ω
X-max	0.5 mm
Vas	1.89 Litr
Qts	0.39
Qms	6.44
Qes	0.41



VOICE:886.2.26570282 FAX:886.2.26580166  
E-MAIL :info@tb-speaker.com