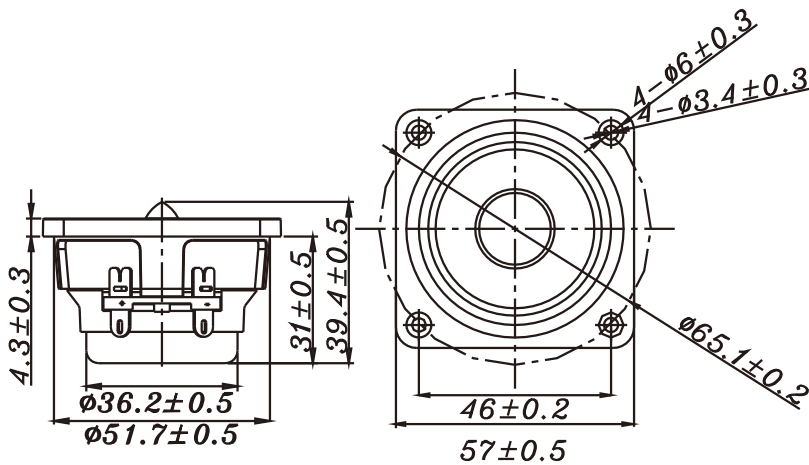


F SERIES

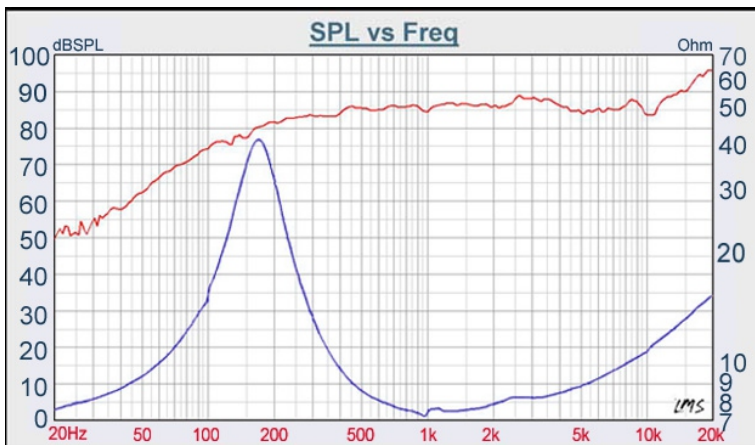
W2-802SE



- FULL RANGE DESIGN
- ABS BASKET, MAGNETICALLY SHIELDED
- PP CONE WITH R SHAPE TPR SURROUND
- NEODYMIUM MAGNET DESIGN
- GOOD FOR CAR, HOME THEATER, MULTIMEDIA APPLICATION
- SPECIAL ALUMINUM PHASE PLUG TO PROVIDE WIDER DISPERSION AND HEAT SINK

2" POLYCONE FULL RANGE

DIAPHRAGM MTL	PPM
SURROUND MTL	TPR
NOMINAL IMPEDANCE	8 Ω
DCR IMPEDANCE	6 Ω
SENSITIVITY 1W/1m	86 dB
FREQUENCY RESPONSE	160-20K Hz
FREE AIR RESONANCE	160 Hz
VOICE COIL DIAMETER	20.4 mm
AIR GAP HEIGHT	3 mm
RATED POWER INPUT	8 W
MAXIMUM POWER INPUT	16 W
FORCE FACTOR, BL	3.49 TM
TYPE OF MAGNET	Neodymium
MOVING MASS	1 g
FERROFLUID ENHANCED	No
SUSPENSION COMPLIANCE	1294 μMN^{-1}
EFFECTIVE PISTON AREA	0.0013 M^2
Levc	0.039 mH
Zo	60 Ω
X-max	1 mm
Vas	0.31 Liter
Qts	0.36
Qms	3.68
Qes	0.40



VOICE: 886.2.26570282 FAX: 886.2.26580166
E-MAIL: info@tb-speaker.com