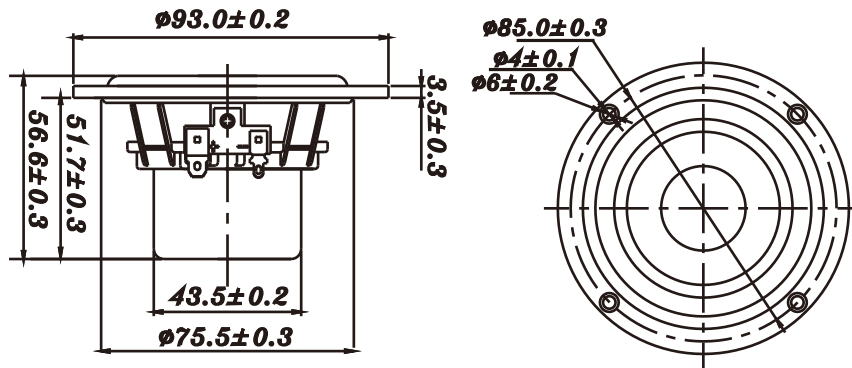


# F SERIES

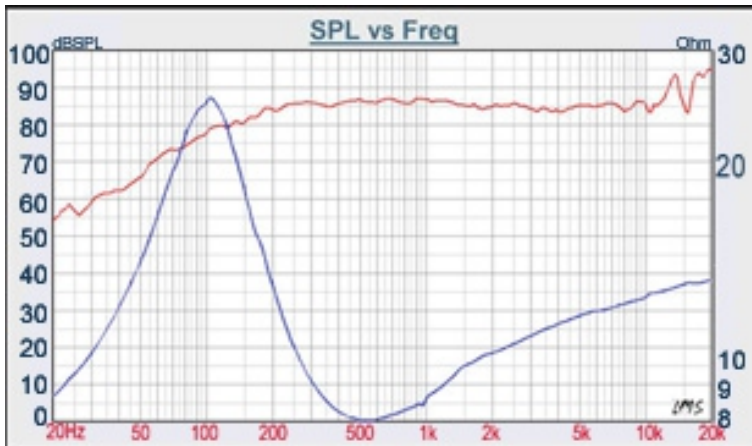
# W3-1335SB



- FULL RANGE FREQUENCY RESPONSE
- HIGH POWER LOADING DESIGN
- DIE CAST BASKET, TITANIUM COLOR PAINTED, VC VENTED DESIGN
- TITANIUM CONE WITH SANTOPRENE SURROUND
- MAGNETICALLY SHIELDED
- UNDERHUNG MOTOR DESIGN
- LOW 2nd, 3rd DISTORTION DESIGN

## 3" TI FULL RANGE

DIAPHRAGM MTL	Titanium
SURROUND MTL	Santoprene
NOMINAL IMPEDANCE	8 $\Omega$
DCR IMPEDANCE	6.6 $\Omega$
SENSITIVITY 1W/1m	86 dB
FREQUENCY RESPONSE	100 - 20K Hz
FREE AIR RESONANCE	100 Hz
VOICE COIL DIAMETER	25.4 mm
AIR GAP HEIGHT	8 mm
RATED POWER INPUT	15 W
MAXIMUM POWER INPUT	30 W
FORCE FACTOR, BL	5.16 TM
TYPE OF MAGNET	Neodymium
MOVING MASS	2.88 g
FERROFLUID ENHANCED	No
SUSPENSION COMPLIANCE	841.459 $\mu\text{MN}^{-1}$
EFFECTIVE PISTON AREA	0.0032 $\text{M}^2$
Levc	0.008 mH
Zo	26 $\Omega$
X-max	0.5 mm
Vas	1.22 Litr
Qts	0.34
Qms	1.31
Qes	0.46



# TB SPEAKERS

VOICE: 886.2.26570282 FAX: 886.2.26580166  
E-MAIL: info@tb-speaker.com