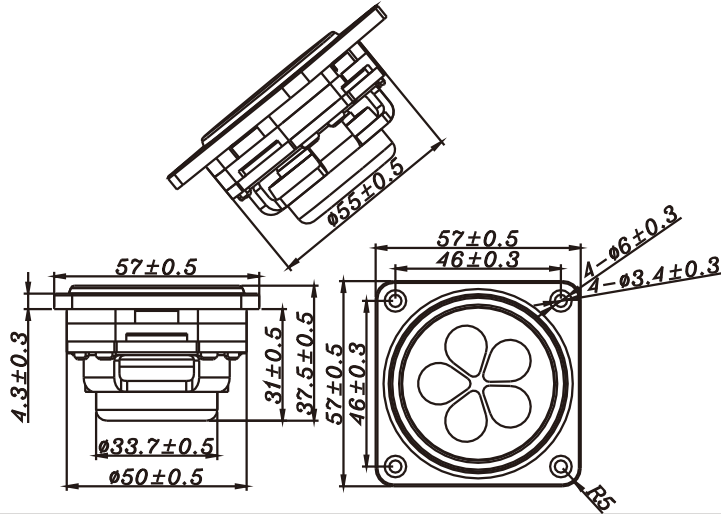


F SERIES

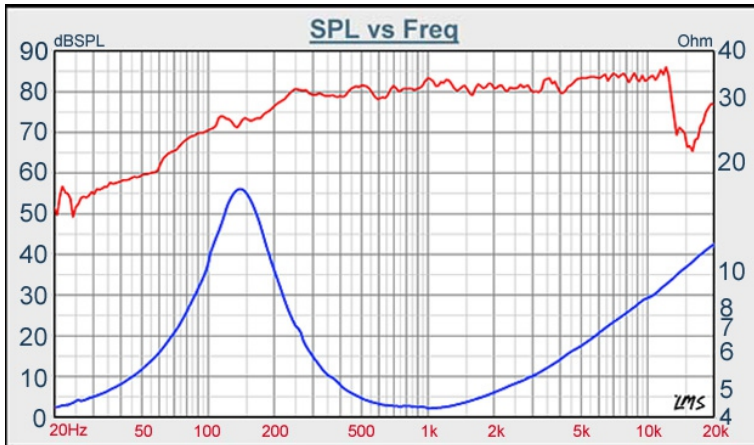
W2-2215S



- THE HIGHEST PERFORMANCE OF INNOVATIVE, 2INCH FULL RANGE DRIVER DESIGN
- SQUARE DIAMETER OF 57mm, Fo:120Hz
- MINERAL FILLED PP DIAPHRAGM WITH SANTOPRENE SURROUND, NEODYMIUM MAGNET SYSTEM
- EXCELLENT WEATHERABILITY
- PATENTED PRODUCT WITH EXCELLENT CONSISTENCY
- IT'S GOOD FOR MULTIMEDIA APPLICATION / PORTABLE DEVICE APPLICATION.

2" PP CONE, FULL RANGE

DIAPHRAGM MTL	Mineral filled pp
SURROUND MTL	Santoprene
NOMINAL IMPEDANCE	4 Ω
DCR IMPEDANCE	3.4 Ω
SENSITIVITY 1W/1m	82 dB
FREQUENCY RESPONSE	120 -12K Hz
FREE AIR RESONANCE	120 Hz
VOICE COIL DIAMETER	25.4 mm
AIR GAP HEIGHT	3 mm
RATED POWER INPUT	10 W
MAXIMUM POWER INPUT	20 W
FORCE FACTOR, BL	3.86 TM
TYPE OF MAGNET	Neodymium
MOVING MASS	2.50 g
FERROFLUID ENHANCED	No
SUSPENSION COMPLIANCE	520.18 MN ⁻¹
EFFECTIVE PISTON AREA	0.0015M ²
Levc	0.034 mH
Zo	18 Ω
X-max	2 mm
Vas	0.17 Litr
Qts	0.40
Qms	1.97
Qes	0.50



VOICE:886.2.26570282 FAX:886.2.26580166
E-MAIL :info@tb-speaker.com