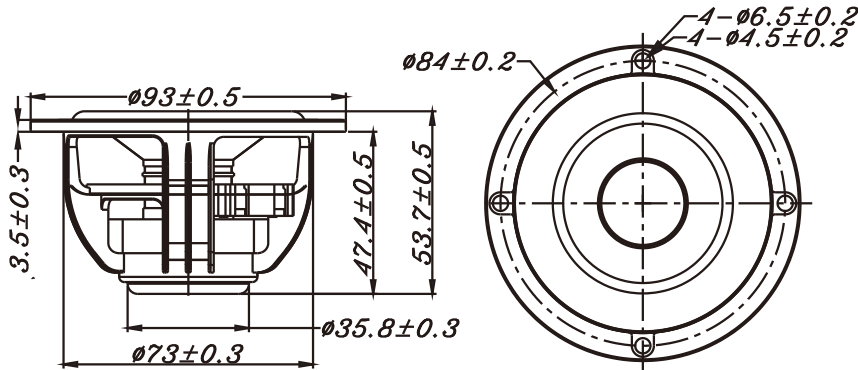


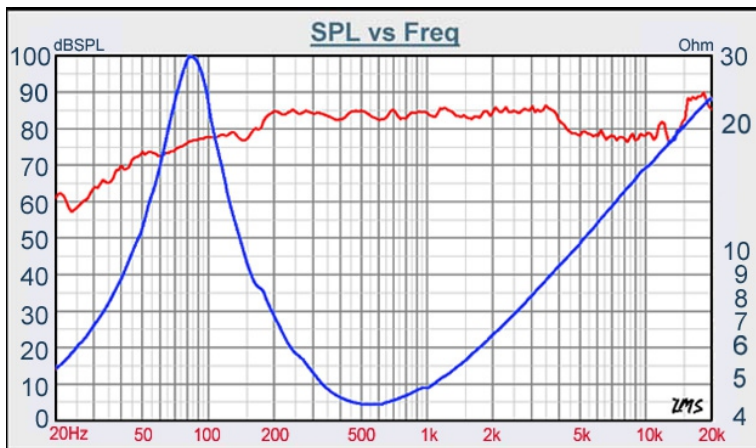
# WF SERIES

# W3-2192S



- ENGINEERING PLASTIC BASKET
- ALUM. CONE WITH WIDE RANGE TEMP RUBBER SURROUND
- 84 dB SPL AND LOW FREE AIR RESONANCE (F0=80HZ)

## 3" ALUM. WOOFER



DIAPHRAGM MTL	Alum.
SURROUND MTL	Rubber
NOMINAL IMPEDANCE	4 Ω
DCR IMPEDANCE	3.6 Ω
SENSITIVITY 1W/1m	84 dB
FREQUENCY RESPONSE	80-5 K Hz
FREE AIR RESONANCE	80 Hz
VOICE COIL DIAMETER	25.4 mm
AIR GAP HEIGHT	3 mm
RATED POWER INPUT	20 W
MAXIMUM POWER INPUT	40 W
FORCE FACTOR, BL	5.31 TM
TYPE OF MAGNET	Neodymium
MOVING MASS	4.99 g
FERROFLUID ENHANCED	No
SUSPENSION COMPLIANCE	736.86 $\mu\text{MN}^{-1}$
EFFECTIVE PISTON AREA	0.0032 M <sup>2</sup>
Levc	0.084 mH
Zo	30 Ω
X-max	3.3 mm
Vas	1.07 Liter
Qts	0.29
Qms	2.43
Qes	0.33



VOICE:886.2.26570282 FAX:886.2.26580166  
E-MAIL :info@tb-speaker.com