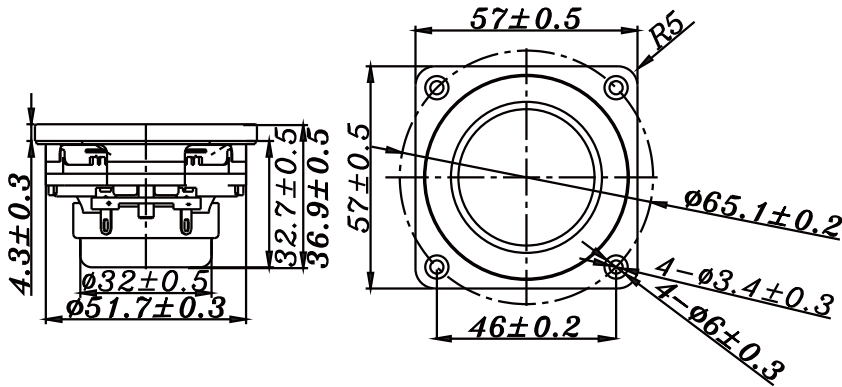


F SERIES

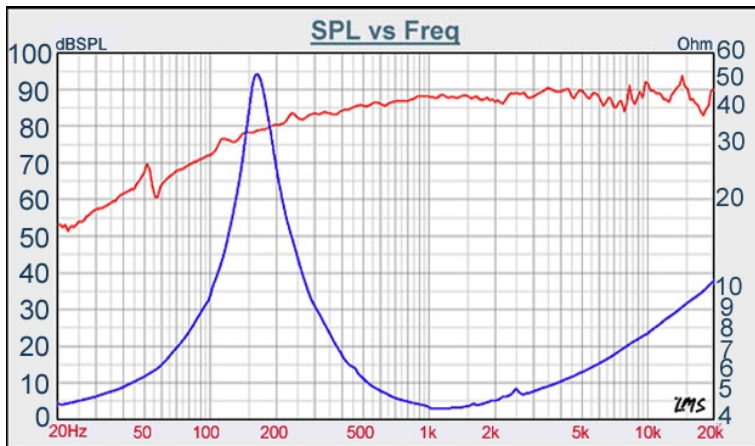
W2-2243S



- FULL RANGE DESIGN
- NYLON COMPOSITE BASKET
- INVERTED ALUM./MG WITH TPR SURROUND
- NEODYMIUM MAGNET DESIGN
- GOOD FOR MULTI-MEDIA, HOME THEATER, CAR APPLICATION
- MAGNETICALLY SHIELDED

2" ALUM./MG FULL RANGE

DIAPHRAGM MTL	Alum/Mg
SURROUND MTL	TPR
NOMINAL IMPEDANCE	4 Ω
DCR IMPEDANCE	3.4 Ω
SENSITIVITY 1W/1M	87 dB
FREQUENCY RESPONSE	160-20K Hz
FREE AIR RESONANCE	160 Hz
VOICE COIL DIAMETER	25.4 mm
AIR GAP HEIGHT	3 mm
RATED POWER INPUT	10 W
MAXIMUM POWER INPUT	20 W
FORCE FACTOR, BL	3.80 TM
TYPE OF MAGNET	Neodymium
MOVING MASS	1.35 g
FERROFLUID ENHANCED	No
SUSPENSION COMPLIANCE	729.98 μMN^{-1}
EFFECTIVE PISTON AREA	0.0015 M^2
Levc	0.036 mH
Zo	50 Ω
X-max	1 mm
Vas	0.23 Liter
Qts	0.30
Qms	4.50
Qes	0.32



VOICE: 886.2.26570282 FAX: 886.2.26580166
E-MAIL: info@tb-speaker.com