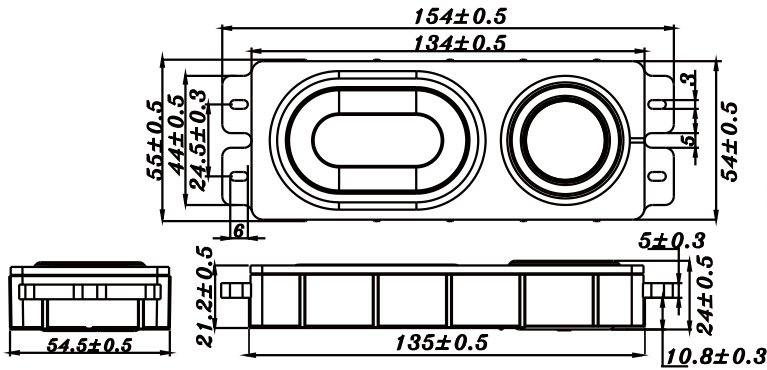


# MODULE

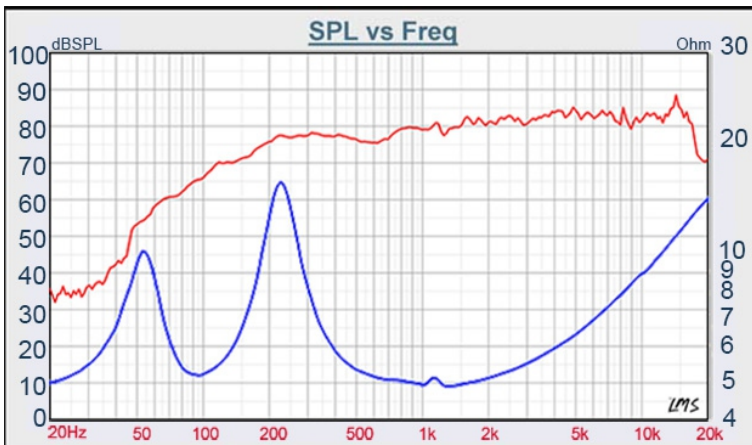
# TX1-2384S



- 1" ENHANCED HIGH-EFFICIENCY FULL RANGE SOUND MODULE.
- THE FIRST SPECIAL PAPER CONE VERSION WITH INSERTED MOLD SURROUND, PRESENT BEST VOCAL.
- PATENTED DESIGN DRIVER, PERFECT COMBINATION OF PASSIVE RADIATOR AND SPEAKER BOX. THE COMPLETE SOLUTION FOR CABINET DESIGN.
- SLIM AND POWERFUL, SENSITIVITY = 82dB.
- SUITABLE FOR ALL KINDS OF PRODUCTS AND ANY APPLICATIONS THAT REQUIRE GREAT SOUND.
- CUSTOMIZATION IS WELCOME....

## SYSTEM SPECIFICATION

SYSTEM	Passive radiator design
ACTIVE DRIVER	46mm dome shape driver
DIAPHRAGM	Paper. composite with elastomer
HOUSING	PP composite material
FINISH	Black
DIMENSIONS	154 x 55 x 24mm
VOICE COIL DIAMETER	28 mm
IMPEDANCE	4 ohm
POWER LOADING	4 W(RMS)
MUSIC POWER	8 W
RESPONSE RANGE	95Hz - 20KHz
SENSITIVITY	82 dB (M / W)
Fs	95 Hz
POWER RECOMMENDED	5 W (RMS)
DESIGN SUGGESTION	High pass filter with 80 Hz, -12dB/oct



VOICE: 886.2.26570282 FAX: 886.2.26580166  
E-MAIL: info@tb-speaker.com