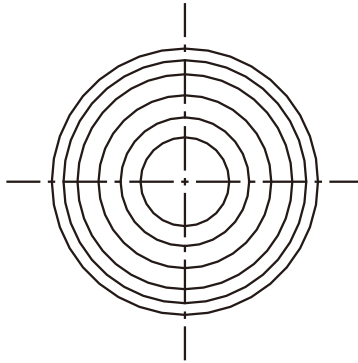
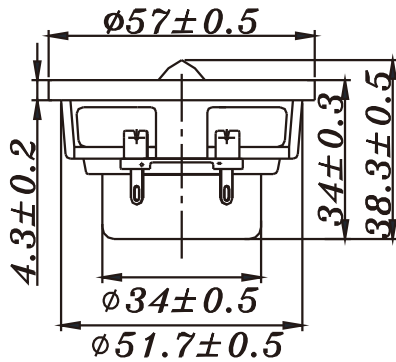


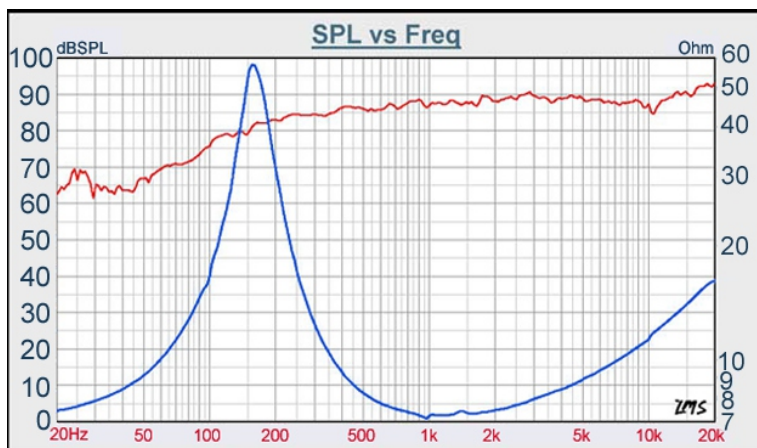
# F SERIES

# W2-780SD



- FULL RANGE DESIGN
- ABS BASKET, AL PHASE PUG FOR COOLING
- POLY CONE WITH TPR SURROUND
- NEODYMIUM MAGNET DESIGN
- GOOD FOR MULTI-MEDIA, HOME THEATER, CAR APPLICATION

## 2" POLYCONE FULL RANGE



DIAPHRAGM MTL	PPM
SURROUND MTL	TPR
NOMINAL IMPEDANCE	8 $\Omega$
DCR IMPEDANCE	6 $\Omega$
SENSITIVITY 1W/1m	86 dB
FREQUENCY RESPONSE	155 - 20K Hz
FREE AIR RESONANCE	155 Hz
VOICE COIL DIAMETER	20.4 mm
AIR GAP HEIGHT	3 mm
RATED POWER INPUT	8 W
MAXIMUM POWER INPUT	16 W
FORCE FACTOR, BL	3.64 TM
TYPE OF MAGNET	Neodymium
MOVING MASS	0.87 g
FERROFLUID ENHANCED	No
SUSPENSION COMPLIANCE	1208 $\mu\text{MN}^{-1}$
EFFECTIVE PISTON AREA	0.0013 $\text{M}^2$
Levc	0.04 mH
Zo	58 $\Omega$
X-max	1 mm
Vas	0.29 Litr
Qts	0.35
Qms	3.89
Qes	0.39



VOICE: 886.2.26570282 FAX: 886.2.26580166  
E-MAIL: info@tb-speaker.com