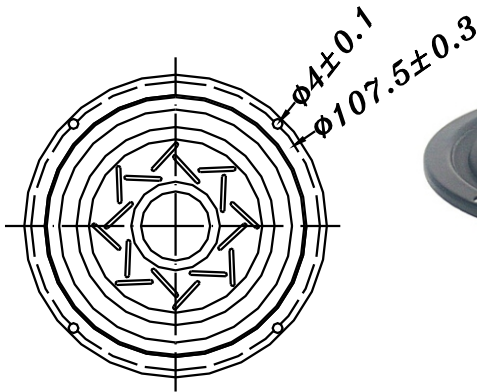
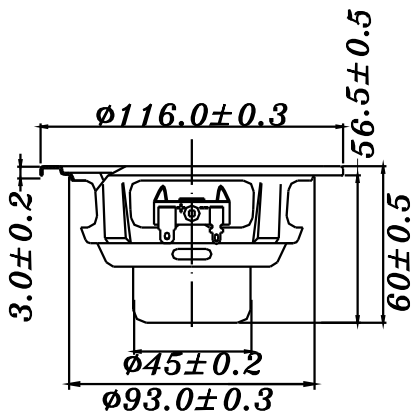


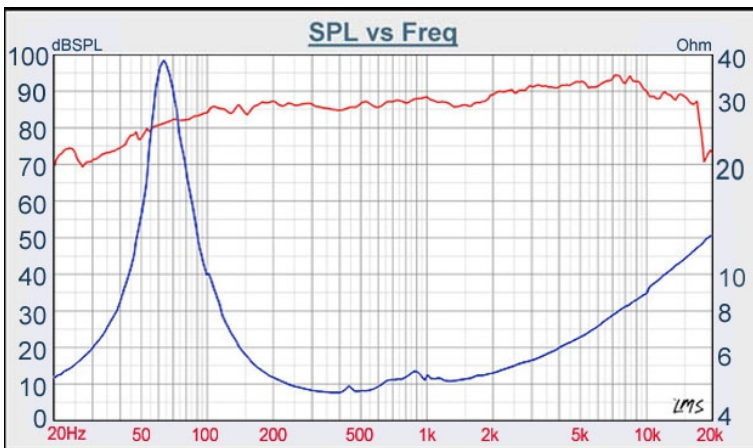
# F SERIES

# W4-1052SD



- FULL RANGE DESIGN
- STRUCTURED PP CONE WITH WIDE RANGE TEMPERATURE RUBBER SURROUND, SATBLE FO
- NEODYMIUM DESIGN,
- STAMPED STEEL BASKET
- MAGNETICALLY SHIELDED
- GOOD FOR HOME THEATER, MULTIMEDIA, CAR APPLICATION

## 4" PP FULL RANGE



DIAPHRAGM MTL	Structured pp
SURROUND MTL	Rubber
NOMINAL IMPEDANCE	4 Ω
DCR IMPEDANCE	3.8 Ω
SENSITIVITY 1W/1m	87 dB
FREQUENCY RESPONSE	70 - 17K Hz
FREE AIR RESONANCE	70 Hz
VOICE COIL DIAMETER	25.4 mm
AIR GAP HEIGHT	2.5 mm
RATED POWER INPUT	20 W
MAXIMUM POWER INPUT	40 W
FORCE FACTOR, BL	3.44 TM
TYPE OF MAGNET	Neodymium
MOVING MASS	3.85 g
FERROFLUID ENHANCED	No
SUSPENSION COMPLIANCE	1643 $\mu\text{MN}^{-1}$
EFFECTIVE PISTON AREA	0.0057 $\text{M}^2$
Levc	0.061 mH
Zo	38 Ω
X-max	3.4 mm
Vas	7.58 Liter
Qts	0.44
Qms	4.52
Qes	0.49



VOICE:886.2.26570282 FAX:886.2.26580166  
E-MAIL :info@tb-speaker.com