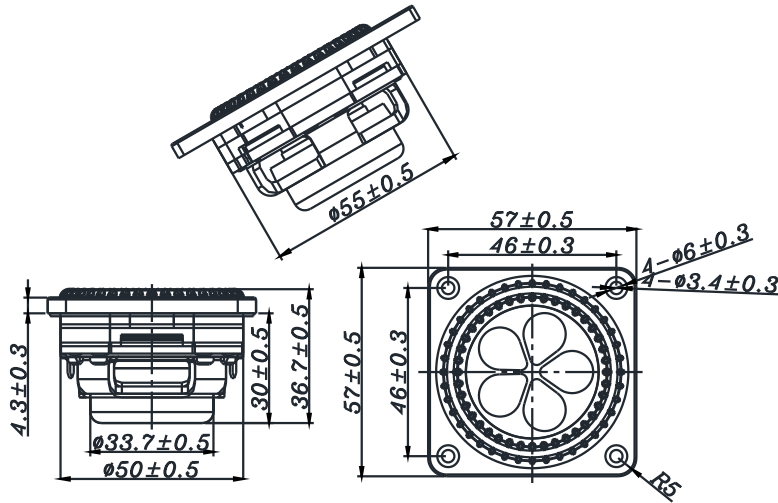


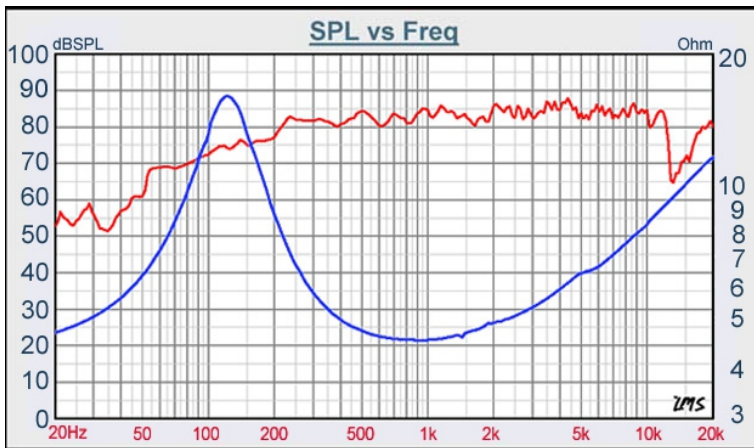
# F SERIES

# W2-2181S



- THE HIGHEST PERFORMANCE OF INNOVATIVE, 2INCH FULL RANGE DRIVER DESIGN
- SQUARE DIAMETER OF 57mm, Fo:120Hz
- MINERAL FILLED PP DIAPHRAGM WITH SANTOPRENE SURROUND, NEODYMIUM MAGNET SYSTEM
- EXCELLENT WEATHERABILITY
- PATENTED PRODUCT WITH EXCELLENT CONSISTENCY
- IT'S GOOD FOR MULTIMEDIA APPLICATION

## 2" PP CONE, FULL RANGE



DIAPHRAGM MTL	Mineral filled pp
SURROUND MTL	Santoprene
NOMINAL IMPEDANCE	4 Ω
DCR IMPEDANCE	3.4 Ω
SENSITIVITY 1W/1m	82 dB
FREQUENCY RESPONSE	120 -12K Hz
FREE AIR RESONANCE	120 Hz
VOICE COIL DIAMETER	25.4 mm
AIR GAP HEIGHT	3 mm
RATED POWER INPUT	10 W
MAXIMUM POWER INPUT	20 W
FORCE FACTOR, BL	3.72 TM
TYPE OF MAGNET	Neodymium
MOVING MASS	2.304 g
FERROFLUID ENHANCED	No
SUSPENSION COMPLIANCE	743.34 $\mu\text{MN}^{-1}$
EFFECTIVE PISTON AREA	0.0015 $\text{M}^2$
Levc	0.032 mH
Zo	16 Ω
X-max	2.00 mm
Vas	0.24 Liter
Qts	0.34
Qms	1.61
Qes	0.43



VOICE:886.2.26570282 FAX:886.2.26580166  
E-MAIL :info@tb-speaker.com