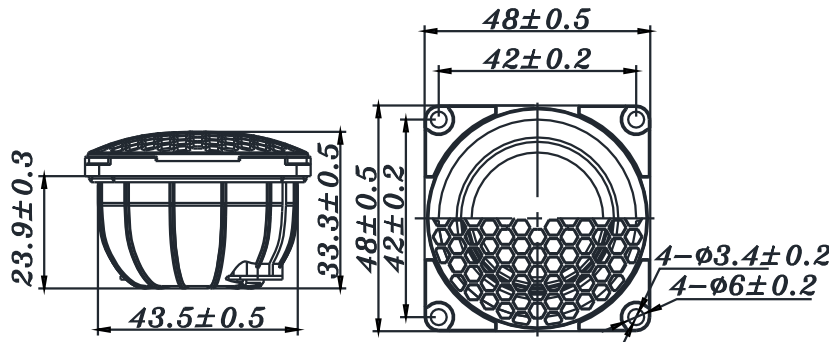


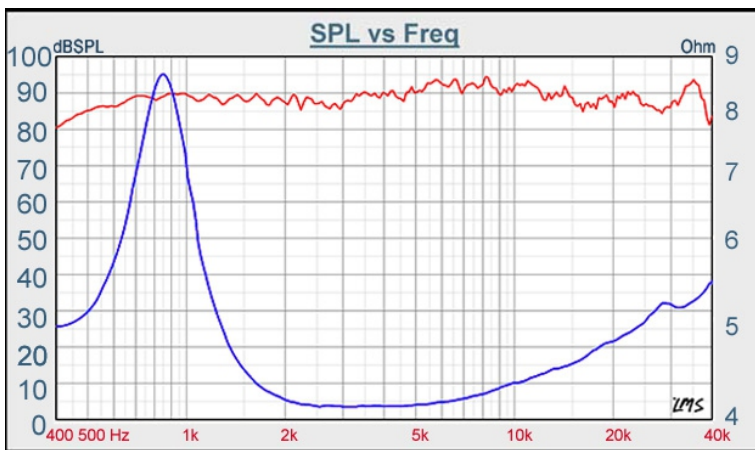
TW SERIES

25-2234S



- REACH 40KHZ FREQUENCY RESPONSE , MEET HI-RES INQUIRY
- ALUMINUM / MAGNESIUM MEMBRANE
- SEMI-AUTOMATIC PROCESS TO HAVE EXCELLENT CONSISTENCY
- NEODYMIUM MAGNET DESIGN
- FERRO-FLUID COOLED

25mm HI-RES TWEETER



DIAPHRAGM MTL	Alum/Mg
SURROUND MTL	Santoprene
NOMINAL IMPEDANCE	4 Ω
DCR IMPEDANCE	3.6 Ω
SENSITIVITY 1W/1M	90 dB
FREQUENCY RESPONSE	850 - 40K Hz
FREE AIR RESONANCE	850 Hz
VOICE COIL DIAMETER	25.4 mm
AIR GAP HEIGHT	1.5 mm
RATED POWER INPUT	8 W
MAXIMUM POWER INPUT	80 W
FORCE FACTOR, BL	N/A
TYPE OF MAGNET	Neodymium
MOVING MASS	N/A
FERROFLUID ENHANCED	Yes
SUSPENSION COMPLIANCE	N/A
EFFECTIVE PISTON AREA	N/A
Levc	0.04 mH
Zo	N/A
Xmax	N/A
Vas	N/A
Qts	N/A
Qms	N/A
Qes	N/A



VOICE: 886.2.26570282 FAX: 886.2.26580166
E-MAIL: info@tb-speaker.com