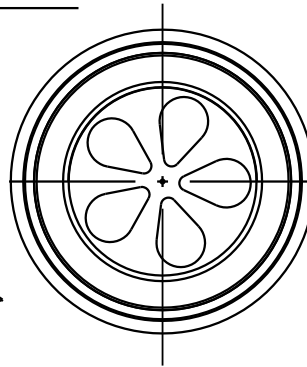
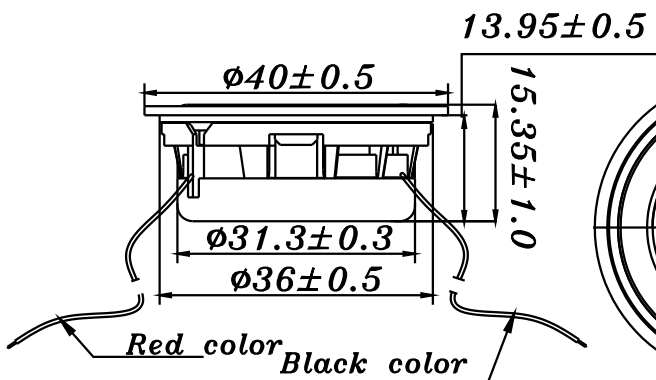


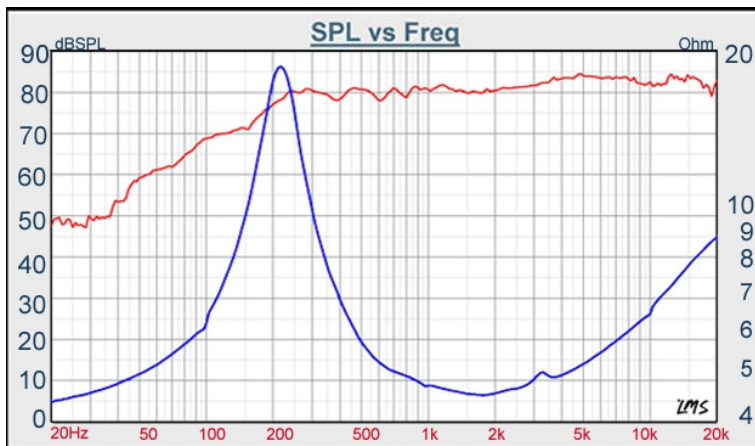
**F** SERIES

# W1-2025SA



- THE HIGHEST PERFORMANCE OF INNOVATIVE, TINY FULL RANGE DRIVER DESIGN
- OUTSIDE DIAMETER OF 40mm, Fo:200Hz
- ALUMINIUM DIAPHRAGM WITH SANTOPRENE SURROUND
- NEODYMIUM MAGNET SYSTEM
- PATENTED PRODUCT WITH EXCELLENT CONSISTENCY
- IT'S GOOD FOR MULTIMEDIA APPLICATION

## 1" ALUM, FULL RANGE



DIAPHRAGM MTL	Aluminium
SURROUND MTL	Santoprene
NOMINAL IMPEDANCE	4 Ω
DCR IMPEDANCE	3.6 Ω
SENSITIVITY 1W/1m	81 dB
FREQUENCY RESPONSE	200-20K Hz
FREE AIR RESONANCE	200 Hz
VOICE COIL DIAMETER	25.4 mm
AIR GAP HEIGHT	3.0 mm
RATED POWER INPUT	2 W
MAXIMUM POWER INPUT	4 W
FORCE FACTOR, BL	2.14 TM
TYPE OF MAGNET	Neodymium
MOVING MASS	0.523 g
FERROFLUID ENHANCED	YES
SUSPENSION COMPLIANCE	1005 $\mu\text{MN}^{-1}$
EFFECTIVE PISTON AREA	0.0006 $\text{M}^2$
Levc	0.02 mH
Zo	18 Ω
X-max	0.75 mm
Vas	0.05 Liter
Qts	0.46
Qms	2.39
Qes	0.57

**TB** SPEAKERS

VOICE:886.2.26570282 FAX:886.2.26580166  
E-MAIL :info@tb-speaker.com